



LOWRY SOLUTIONS INC.
9420 MALTBY ROAD
BRIGHTON, MI 48116

Ordering Guide

For the AIT-6
Contract W52P1J-20-D-0002

Version 3

01/14/2020

Revision History

Date	Author	Description of Change
11/19/2019	K. Lowry	Initial submission
12/20/2019	K. Lowry	Submission of Version 2
01/14/2020	K. Lowry	Submission of Version 3



Contents

- 1. Configuration Management and Status Log 5
- 2. Contract Summary 7
 - 2.1 Contract Number 7
 - 2.2 Scope..... 7
 - 2.3 Contract Type..... 7
 - 2.4 Contract Period 7
 - 2.5 CLIN Structure 7
- 3. Ordering Procedures..... 8
- 4. Equipment..... 9
 - 4.1 Hand-Held Terminals (HHTs)..... 9
 - 4.1.1 CLIN x001AA Hand-Held Terminal (HHT-A), Large Display, Integrated Imager, Full Alphanumeric Keypad Capability, and Certified for Hazardous Locations (Minimum Class 1, Division 2, Groups A, B, C, and D)..... 10
 - 4.1.2 CLIN x001BA Hand-Held Barcode Terminal B (HHT-B) Small Display, Integrated Imager, and Full Alphanumeric Keypad Capability 14
 - 4.1.3 CLIN x001CA Hand-Held Barcode Terminal B (HHT-B) Small Display, Integrated Imager, and Full Alphanumeric Keypad Capability 18
 - 4.1.4 CLIN x001DA Hand-Held Barcode Terminal D (HHT-D) Small Display, Integrated Imager, Full Alphanumeric Keypad Capability and NI Certified..... 21
 - 4.1.5 CLIN x001EA Hand-Held Barcode Terminal D (HHT-D) Small Display, Integrated Imager, Full Alphanumeric Keypad Capability and NI Certified..... 26
 - 4.2 Barcode Scanning/Imaging Devices 29
 - 4.2.1 CLIN x003AA Imager for PC Input - General Barcode (Tethered) 30
 - 4.2.2 CLIN x003AB Imager for PC Input - General Barcode (Bluetooth)..... 32
 - 4.2.3 CLIN x003AC Imager for PC Input – IUID Label Markings 34
 - 4.2.4 CLIN x003AD Imager for PC Input – IUID Direct Part Markings 35
 - 4.2.5 CLIN x003AE Imager with Extended Reading Range for PC Input - General Barcode (Tethered) 37
 - 4.3 Barcode Label Printers 38
 - 4.3.1 CLIN x005AA Portable/Wearable Barcode Label Printer 39
 - 4.3.2 CLIN x005BA Stationary Barcode Label Printer..... 42
 - 4.3.3 CLIN x005BB Stationary Barcode Label Printer, with Installed Take-Up Reel..... 43
 - 4.4 Item Unique Identification (IUID) Marking and Verification Equipment 46



- 4.4.1 CLIN x007AA Laser Marking Equipment 46
- 4.4.2 CLIN x007AD Verification Equipment 49
- 4.5 Radio Frequency Data Communication Configurations..... 50
- 4.5.1 CLIN x009AA Radio Frequency Access Point (Indoor Environment)..... 50
- 4.5.2 CLIN x009AB Radio Frequency Access Point (NEMA) 54
- 4.5.3 CLIN x009AC Radio Frequency Access Point (Office Environment) 56
- 4.5.4 CLIN x009AD Radio Frequency Gateway 59
- 4.6 Small Arms Room Transit Case Configuration (Kit)..... 63
- 5. Software..... 67
- 5.1 Barcode Label and Form Design Software..... 67
- 5.2 Small Arms Room Management Software..... 68
- 6. Technical Engineering Services Section 70
- 6.1 Proposal Request for TES 71
- 6.2 Incidental Materials 72
- 6.3 Travel..... 72
- 6.4 TES Trip Report..... 72
- 6.5 TES Response Time 72
- 6.6 Software Development Services 72
- 7. Training 72
- 8. Warranty Support 73
- 8.1 Overview 73
- 8.2 Warranty Mail-In Procedures 73
- 8.3 Warranty Replacement Parts..... 74
- 8.4 Warranty On-Call Procedures 74
- 8.5 Software Warranty..... 74
- 9. Preventative Maintenance..... 74
- 9.1 CLIN x005AA: Portable/Wearable Barcode Label Printer 75
- 9.2 CLIN x005BA: Stationary Barcode Label Printer..... 75
- 9.3 CLIN x005BB: Stationary Barcode Label Printer, with Installed Take-up Reel 77
- 9.4 CLIN x007AA: Laser Marking Equipment 78
- 10. CLIN List and Price..... 79

1. Configuration Management and Status Log

CLIN	Description	Version	Status	Effective Date
X001AA	HAND-HELD TERMINAL-A, LARGE DISPLAY, INTEGRATED IMAGER, FULL ALPHANUMERIC KEYPAD CAPABILITY, AND CERTIFIED FOR HAZARDOUS LOCATIONS (MINIMUM CLASS 1, DIVISION 2, GROUPS A, B, C, AND D)	Win 10 Pro	Baseline	11/01/2017
X001BA	HAND-HELD TERMINAL-B (HHT-B) SMALL DISPLAY, INTEGRATED IMAGER, AND FULL ALPHANUMERIC KEYPAD CAPABILITY	Win 10 Pro	Baseline	11/01/2017
X001CA	HAND-HELD TERMINAL-C (HHT-C), LARGE DISPLAY, INTEGRATED IMAGER, AND FULL ALPHANUMERIC KEYPAD CAPABILITY	Win 10 Pro	Baseline	11/01/2017
X001DA	HAND-HELD TERMINAL-D (HHT-D) SMALL DISPLAY, INTEGRATED IMAGER, FULL ALPHANUMERIC KEYPAD CAPABILITY, AND NI CERTIFIED (PER PWS PARAGRAPH 3.4.1, "HAZARDOUS ENVIRONMENT")	Win 10 Pro	Baseline	06/07/2019
X001EA	HAND-HELD TERMINAL-E (HHT-E) SMALL DISPLAY, INTEGRATED IMAGER, FULL ALPHANUMERIC KEYPAD CAPABILITY, AND NI CERTIFIED (PER PWS PARAGRAPH 3.4.1, "HAZARDOUS ENVIRONMENT") WITH PISTOL GRIP HANDLE	Win 10 Pro	Baseline	06/07/2019
X003AA	IMAGER FOR PC INPUT – GENERAL BARCODE (TETHERED)	BI001108BAA	Baseline	02/22/2019
X003AB	IMAGER FOR PC INPUT – GENERAL BARCODE (BLUETOOTH)	Base: BK000277ACA01 Device: BJ00173AAA	Baseline	10/13/2017
X003AC	IMAGER FOR PC INPUT – IUID LABEL MARKING	BI001108BAA	Baseline	02/22/2019
X003AD	IMAGER FOR PC INPUT – IUID DIRECT PART MARKING	DQ000015BAA	Baseline	05/31/2017



X003AE	IMAGER WITH EXTENDED READING RANGE FOR PC INPUT – GENERAL BARCODE (TETHERED)	CR000052BAA	Baseline	01/16/2018
X005AA	PORTABLE/WEARABLE BARCODE LABEL PRINTER	18.06_0049	Baseline	04/25/2016
X005BA	STATIONARY BARCODE LABEL PRINTER	k10.14.01.014620	Baseline	04/01/2018
X005BB	STATIONARY BARCODE LABEL PRINTER with INSTALLED TAKE-UP REEL	P10.13.013651	Baseline	10/16/2018
X007AA	LASER MARKING EQUIPMENT	11.1	Baseline	04/01/2019
X007AD	DESKTOP VERIFIER for LABELS	0.12.5720	Baseline	11/28/19
X009AA	RADIO FREQUENCY ACCESS POINT (indoor environment)	8.3.0.9-FIPS	Baseline	09/21/19
X009AB	RADIO FREQUENCY ACCESS POINT (NEMA)	8.3.0.9-FIPS	Baseline	09/21/19
X009AC	RADIO FREQUENCY ACCESS POINT (office environment)	8.3.0.9-FIPS	Baseline	09/21/19
X009AD	RADIO FREQUENCY GATEWAY	8.3.0.9-FIPS	Baseline	09/21/19
X013AA	BARCODE LABEL DESIGN and PRINTING SOFTWARE	2018.02.00	Baseline	12/04/19
X013AB	SMALL ARMS ROOM MANAGEMENT SOFTWARE	3.1.16	Baseline	10/19/2019

2. Contract Summary

2.1 Contract Number

W52P1J-20-D-0002

2.2 Scope

The mission of the Product Lead for Automated Movement and Identification Solutions (PL AMIS) Program Management Office (PMO) is to provide a single point of contact for procurement and technical expertise across the suite of Automatic Identification Technology (AIT) enabling technologies that support focused logistics, Total Asset Visibility (TAV), and the integration of global supply chains. The AIT contract will provide commercial hardware, software, documentation, and services to authorized users worldwide. Services include training, warranty, and technical engineering services (TES). Hardware and software delivery and installation, as well as performance of associated training, warranty, and documentation, shall be required at continental United States (CONUS) and outside the Continental United States (OCONUS) Government sites. Performance of TES shall be required at CONUS and OCONUS Government sites and the contractor facility.

The objectives of the AIT-6 acquisition is to provide a state-of-the-art, common, integrated structure for logistics tracking, locating, and monitoring of assets and processes. Data collection, storage of information, information processing, and transmission of AIT data will greatly enhance systems within Department of Defense (DoD), United States Coast Guard (CG), North Atlantic Treaty Organization (NATO), Coalition Partners, other Foreign Military Sales (FMS), and other federal agencies. AIT technologies will provide standardization among Government users of AIT components purchased under this contract.

2.3 Contract Type

Firm Fixed Price (FFP), Indefinite Delivery/Indefinite Quantity (IDIQ) contract with reimbursable CLINs for Other Direct Costs (ODC) and Travel.

2.4 Contract Period

The ordering period of this AIT-6 contract includes a 3-year (36 months) base Ordering Period, with two 12-month evaluated Option Ordering Periods. The ordering periods are outlined below:

Base Ordering Period: 11 November 2019 – 10 November 2022 (36 months)

Option Period 1 (if exercised): 11 November 2022 – 10 November 2023 (12 months)

Option Period 2 (if exercised): 11 November 2023 – 10 November 2024 (12 months)

2.5 CLIN Structure

CLINs are referenced in this document with an X in the first (leftmost) digit.

Replace the X with the digit representing the ordering period.

- Base Ordering Period (Years 1 – 3): 11 November 2019 – 10 November 2022 → replace the X with a 0
- Option Period 1 (Year 4): 11 November 2022 – 10 November 2023 → replace the X with a 1
- Option Period 2 (Year 5): 11 November 2023 – 10 November 2024 → replace the X with a 2

3. Ordering Procedures

The mandatory ordering procedures to use the AIT-6 contract to obtain hardware, software, and services can be found in the Ordering Guide, https://usarmyamis.army.mil/ContractsAssets/AIT-6_OrderingGuide.pdf.

Questions regarding these guidelines and procedures for placing orders against the contract should be directed to:

Rebecca Heise

Contracting Officer's Representative (COR), PL AMIS

Office: (703) 806-0332

Email: Rebecca.U.Heise.civ@mail.mil

Questions of a contractual nature should be directed to the Procuring Contracting Officer (PCO), army Contracting Command – Rock Island (ACC-RI):

Trisha Mariman

Contracting Officer

Office: (309) 782-2836

Email: trisha.m.mariman.civ@mail.mil

Ashley Griffin

Contract Specialist

Office: (309) 782-5445

Email: ashley.l.griffin20.civ@mail.mil

Please contact the below Lowry Sales POCs with all AIT-6 quote requests or to place an AIT-6 order:

Kristin Lowry

Office: (810) 534-1673

Email: KristinL@lowrysolutions.com

Kathe Copeland

Office: (810) 534-1625

Email: KatheC@lowrysolutions.com

The Government can reach out to the above Lowry POCs for additional information regarding Lowry's AIT-6 product offerings. You may also visit our AIT-6 website, b2g.lowrysolutions.com.

4. Equipment

4.1 Hand-Held Terminals (HHTs)

Lowry Solutions is offering the fully rugged hand-held devices satisfying the requirements for each of the AIT-6 Hand-Held Terminals (HHT) listed below:

- Hand-Held Terminal A (HHT-A): Getac F110 G5
- Hand-Held Terminal B (HHT-B): Getac T800 G2
- Hand-Held Terminal C (HHT-C): Getac F110 G5
- Hand-Held Terminal D (HHT-D): Juniper Mesa 2
- Hand-Held Terminal E (HHT-E): Juniper Mesa 2 w/ Pistol Grip

Each HHT is a hand-held device used to automatically capture and store data and can accept data through its color touch screen, stylus, full alphanumeric on-screen keypad (OSK), integrated barcode imager, or other attached devices. Each HHT can communicate with the portable/wearable barcode label printer. The 1D/2D integrated barcode imagers of each HHT can decode the symbologies specified in paragraph 3.11 of the PWS with a depth of field of 4" for low- and medium density barcodes and 2" for high-density barcodes.

Each HHT supports IPv4 and IPv6 and can communicate via the separately orderable communications docking stations and built-in Bluetooth and wireless 802.11 networks for data transfer and downloading HHT program instructions. The Bluetooth and wireless of every HHT can be disabled both manually and by firmware. Additionally, every HHT has enhanced security features: TPM 2.0, FIPs 140-2 Level 2 compliant client software, and an integrated CAC reader or capability to accommodate the Apriva BT200Z Bluetooth CAC reader. A permanent label to the Apriva Bluetooth CAC reader that states the UL Nonincendive certified Hazardous location designation (as applicable) designation (as applicable), Ambient Temperature Range, and the following marking shall also appear on the label "WARNING – EXPLOSION HAZARD – DO NOT CONNECT WHILE CIRCUIT IS LIVE UNLESS AREA IS KNOWN TO BE NON-HAZARDOUS". In addition, the contractor shall ensure the OEM's name (or trademark / identifier), electrical ratings and catalog number (or equivalent) markings appear on the device.

All HHTs are capable of supporting CAC enablement software and DoD PKI interfaces, and Lowry will have an SDK available for each device at no additional cost to Government users with the capability to execute non-proprietary development environments/compilers i.e. Java, Basic, C/C++, HTML 5, etc.

All HHTs will be delivered with a DISA hardened Windows 10 Professional Operating System or the latest approved mobile operating system installed on the device as specified in paragraph 4.1.2 of the PWS. HHTs will be delivered pre-loaded, upon request, with the most recent AGM Windows-10 Professional

image to provide a premium device provisioning experience that simplifies and expedites device staging and configuration for Government customers.

All HHT offerings are durable ruggedized tablets that meet or exceed the minimum IP54 rating, have the capability to withstand multiple 4-foot drops to concrete, and are nonincendive certified as specified. All components approved for use in hazardous environments are labeled in accordance with governing body markings. All HHTs meet or exceed the minimum operating temperature range of 14° to + 122° Fahrenheit.

All HHTs will be delivered with a tethered stylus, one set of operational batteries, and an AC power cord to charge the HHT batteries. All HHT batteries can be charged in the HHT, supply 8 hours of operation under typical use, and require no more than 5 hours to fully recharge. The HHTs monitor and display battery status and can retain operator/user data for a minimum of five minutes without main power.

Lowry provides the following separately orderable accessories for each HHT:

- a. Two-year warranty upgrade for a total of five years
- b. Holster with adjustable, detachable shoulder strap
- c. Rechargeable battery
- d. Multiple battery charger that can accommodate a minimum of 2 HHT batteries
- e. Single battery charger / communications docking station that has a minimum of (2) USB ports, (1) HDMI port, (1) VGA port, and (1) RJ45 Ethernet port.
 - a. A 6' USB cable for data communication to the host computer
- f. Replacement styli
- g. Transparent screen protector
- h. Printer interface cable that interfaces the HHT to the portable wearable barcode label printer
- i. Detachable hand strap
- j. Carrying case (IP54 rating, minimum)

4.1.1 CLIN x001AA Hand-Held Terminal (HHT-A), Large Display, Integrated Imager, Full Alphanumeric Keypad Capability, and Certified for Hazardous Locations (Minimum Class 1, Division 2, Groups A, B, C, and D)



Lowry is offering the Getac F110 G5 Fully Rugged Tablet for HHT-A. The F110 is ideal for field-mobility applications that demand a compact form factor with no compromise on ruggedness. The F110's next-

generation architecture, combined with market-leading wireless communications and data capture capabilities, delivers optimal worker productivity.

Selecting the optimal rugged mobile business solution that satisfies the needs and preferences of IT, Operations, and the device operator has often required trade-offs: size vs. ruggedness, weight vs. battery life, and support/maintenance of multiple devices and platforms vs. a streamlined, single solution to perform different jobs and functions. The no-compromise design of the Getac F110 achieves true functional agility with the perfect balance of ruggedness, duty cycle, and ergonomics.

The Getac F110 is optimized for field mobility environments. Specifically, the Getac F110 is optimal for mobile field service and transportation workers who need power and performance in a compact form factor. The Getac F110 offers the power-packed computing with a highly responsive screen making it ideal for environments where workers may be wearing gloves or have more data input intensive applications.

F110 features that meet or exceed the HHT-A specific requirements:

- a. 11.6" IPS FHD (1920x1080) 800 nits LumiBond® 2.0 sunlight readable display with multi-touch technology
- b. Integrated with Honeywell's N6603 1D/2D barcode imager
- c. Full alphanumeric on-screen keypad (OSK)
- d. Nonincendive certified for Hazardous Locations (Class 1, Division 2, Groups A, B, C, and D)
- e. Bluetooth v5.0 and IEEE 802.11ac wireless communications function
- f. Intel® Core i5-8265U Quad Core 64-bit Processor and 8GB of RAM for superior computing performance and application response time (exceeds)
- g. Ruggedized, industrially hardened 256GB Solid State Drive
- h. Integrated CAC reader with enablement software
- i. Dual hot-swappable battery design that allows for 8 hours of uninterrupted battery life
- j. DC power x1, USB 3.0 x1, Docking Port x1, HDMI Out x1
- k. Power-packed mobile computer weighing 3.08 lbs.

F110 features that exceed the HHT general requirements:

- MIL-STD-810G certified and IP65 certified
- Vibration & 6' drop resistant
- -5.8°F to 140°F Operating temperature range

Cables:

CLIN	Part/Model # if Available	Description	Cable From	Cable To
X001AF	Lowry-USBHost	Part of "HHT-A Single Battery Charger / Docking Station" - USB Cable for Host Connection, 6 Ft.	Single Battery Charger / Docking Station	Computer / PC / Host



X001AJ	210304-100-SP	HHT-A Portable Printer Interface Connection and Cable (Cable, USB-A to Mini-B)	HHT-A	CLIN X005AA Portable / Wearable Barcode Label Printer
--------	---------------	--	-------	---

BOM:

CLIN / SLIN	Products / Services	Model / Part Number	Description	Quantity
x001AA	Hand-Held Terminal (HHT-A), Large Display, Integrated Imager, Full Alphanumeric Keypad Capability, and Certified for Hazardous Locations (Minimum Class 1, Division 2, Groups A, B, C, and D)	FL2BLDJA4DNA	F110 G5, TAA, HazLoc, ANSI, Class 1, Division 2, Groups A, B, C, & D, 11.6" Display, No Webcam, No Cameras, Intel Core i5-8265U Quad Core Processor, Windows 10 Pro x64, 8GB RAM, 256GB SSD, Sunlight Readable LCD + TouchScreen + Hard Tip Stylus, AC Adapter & Power Cord, WiFi + BT, 1D/2D Honeywell N6603 Barcode Reader, Smart Card Reader, Low Temp -21°C, TPM 2.0, IP65, 3 Year Warranty	1
		GE-SVBTEXT2Y	Extended Warranty - Battery (Years 2 & 3)	1
x001AB	HHT-A Warranty Upgrade to Add 2 Additional Years (Total 5 Year Warranty)	GE-SVTBNFX5Y	Extended Warranty - Tablet (Years 4 & 5)	1
x001AC	HHT-A Holster and Shoulder Strap	GMS2X4	Shoulder Strap, 2-Point	1



CLIN / SLIN	Products / Services	Model / Part Number	Description	Quantity
		GMHRXD	Bracket with Rotating Hand Strap and Kickstand	1
x001AD	HHT-A Rechargeable Battery	TBM3X2	Hot Swappable Battery	1
		GE-SVBTEXT2Y	Extended Warranty - Battery (Years 2 & 3)	1
x001AE	HHT-A Multiple (2) Battery Charger	TCMCU7	External Dual Bay Main Battery Charger, Includes Power Supply and Power Cord.	1
x001AF	HHT-A Single Battery Charger / Docking Station	TDOFU5	Office Dock. Includes (1) USB 3.0, (3) USB 2.0, (1) HDMI, (1) VGA, (1) RJ45 Ethernet, (2) Serial. Includes Power Supply and Power Cord.	1
		Lowry-USBHost	USB Cable for Host Connection, 6 Ft.	1
x001AG	HHT-A One Pack of (1) Tethered Replacement Styli	GMPSX9	Capacitive Hard Tip Stylus & Tether (Spare)	1

CLIN / SLIN	Products / Services	Model / Part Number	Description	Quantity
x001AH	HHT-A Transparent Screen Protector	GMPFXH	Screen Protection Film	1
x001AJ	HHT-A Portable Printer Interface Connection and Cable	210304-100-SP	Cable, USB A to Mini-B	1
x001AK	HHT-A Detachable Hand Strap	GMHRXD	Bracket with Rotating Hand Strap and Kickstand	1
x001AM	HHT-A Carrying Case	3i-1309-6B-E	iSeries 1309-6 Waterproof Utility Case, IP67	1

4.1.2 CLIN x001BA Hand-Held Barcode Terminal B (HHT-B) Small Display, Integrated Imager, and Full Alphanumeric Keypad Capability



Lowry is offering the Getac T800 G2 Fully Rugged Tablet for HHT-B. The T800 is ideal for field-mobility applications that demand a compact form factor with no compromise on ruggedness. Its ergonomic design allows you to hold it comfortably in one hand. The T800 provides best-in-class battery life to get you through your shift, and it's no-compromise rugged features guarantee that it will always be ready. It's on-board diagnostics provides device health visibility and reduces downtime.

T800 features that meet or exceed the HHT-B specific requirements:

- a. 8.1" LED HD (1280x800) IPS LumiBond® 2.0 sunlight readable display & multi-touch screen (exceeds)
- b. Integrated with Honeywell's 5000HD 1D/2D barcode imager
- c. Full alphanumeric on-screen keypad (OSK)
- d. Bluetooth v4.0 and IEEE 802.11ac wireless communications function
- e. Intel Atom® x7-Z8750 Processor quad-core 64-bit, 1.6 GHz with burst up to 2.4 GHz and 4GB of RAM for superior computing, performance, and application response time (exceeds)
- f. Ruggedized, industrially hardened 128 GB Solid State Drive
- g. SnapBack Integrated SmartCard CAC and HF RFID Reader (RFID/NFC combo)
- h. Up to 4 hours of battery life on a single charge
- i. DC power x1, USB 3.0 x1, Docking Port x1, micro HDMI Out x1
- j. Power-packed mobile computer weighing 1.94 lbs.

T800 features that exceed the HHT general requirements:

- MIL-STD-810G certified and IP65 certified
- Vibration & 6' drop resistant
- -5.8°F to 122°F Operating temperature range

Cables:

CLIN	Part/Model # if Available	Description	Cable From	Cable To
X001BF	Lowry-USBHost	Part of "HHT-B Single Battery Charger / Docking Station" - USB Cable for Host Connection, 6 Ft.	Single Battery Charger / Docking Station	Computer / PC / Host
X001BJ	210304-100-SP	HHT-B Portable Printer Interface Connection and Cable (Cable, USB-A to Mini-B)	HHT-B	CLIN X005AA Portable / Wearable Barcode Label Printer

BOM:

CLIN / SLIN	Products / Services	Model / Part Number	Description	Quantity
x001BA	Hand-Held Barcode Terminal B (HHT-B) Small Display, Integrated Imager, and Full Alphanumeric Keypad Capability	T800G2XAITVI1901	Getac: T800 G2, TAA, 8.1" Display, No Webcam, No Cameras, Intel Atom Processor X7-Z8750, Windows 10 Pro x64, 4GB RAM, 128GB eMMC, Sunlight	1



CLIN / SLIN	Products / Services	Model / Part Number	Description	Quantity
			Readable LCD + Touchscreen + Hard Tip Stylus, AC Adapter & Power Cord, WiFi + BT, 1D/2D Honeywell 5000HD Barcode Reader, TPM 2.0, 3 Year Warranty	
		TORSX2	T800 Snapback - Smartcard and HF RFID Reader (RFID/NFC Combo)	1
		GE-SVBTEXT2Y	Extended Warranty - Battery (Years 2 & 3)	1
x001BB	HHT-B Warranty Upgrade to Add 2 Additional Years (Total 5 Year Warranty)	GE-SVCRNFX5Y	Extended Warranty - Tablet (Years 4 & 5)	1
x001BC	Detachable Handle & Trigger (if available)	N/A	N/A	N/A
x001BD	HHT-B Rechargeable Battery	TBM4X1	Main Battery Pack	1
		GE-SVBTEXT2Y	Extended Warranty - Battery (Years 2 & 3)	1



CLIN / SLIN	Products / Services	Model / Part Number	Description	Quantity
x001BE	HHT-B Multiple (2) Battery Charger	TCMCU5	External Dual Bay Main Battery Charger, Includes Power Supply and Power Cord.	1
x001BF	HHT-B Single Battery Charger / Docking Station	TDOFUA	Office Dock. Includes (1) USB 3.0, (3) USB 2.0, (1) HDMI, (1) VGA, (1) RJ45 Ethernet. Includes Power Supply and Power Cord.	1
		Lowry-USBHost	USB Cable for Host Connection, 6 Ft.	1
x001BG	HHT-B One Pack of (1) Tethered Replacement Styli	GMPSXG	Capacitive Hard Tip Stylus & Tether (Spare)	1
x001BH	HHT-B Transparent Screen Protector	GMPFX8	Screen Protection Film	1
x001BJ	HHT-B Portable Printer Interface Connection and Cable	210304-100-SP	Cable, USB A to Mini-B	1
x001BK	HHT-B Detachable Hand Strap	GMHSXA	Hand Strap (for SnapBack - Smartcard and MSR Reader)	1

CLIN / SLIN	Products / Services	Model / Part Number	Description	Quantity
x001BM	HHT-B Carrying Case	3i-1309-6B-E	iSeries 1309-6 Waterproof Utility Case, IP67	1

4.1.3 CLIN x001CA Hand-Held Barcode Terminal B (HHT-B) Small Display, Integrated Imager, and Full Alphanumeric Keypad Capability



Lowry is offering the Getac F110 G5 Fully Rugged Tablet for HHT-C as described in section 3.1.1, however the HHT-C offering is not certified for use in hazardous locations.

Cables:

CLIN	Part/Model # if Available	Description	Cable From	Cable To
X001CF	Lowry-USBHost	Part of "HHT-C Single Battery Charger / Docking Station" - USB Cable for Host Connection, 6 Ft.	Single Battery Charger / Docking Station	Computer / PC / Host
X001CJ	210304-100-SP	HHT-C Portable Printer Interface Connection and Cable (Cable, USB-A to Mini-B)	HHT-C	CLIN X005AA Portable / Wearable Barcode Label Printer

BOM:

CLIN / SLIN	Products / Services	Model / Part Number	Description	Quantity
x001CA	Hand-Held Barcode Terminal C (HHT-C) Large Display, Integrated Imager, Full Alphanumeric Keypad Capability	FL2BLDJA4DHA	F110 G5, TAA, 11.6" Display, No Webcam, No Cameras, Intel Core i5-8265U Quad Core Processor, Windows 10 Pro x64, 8GB RAM, 256GB SSD, Sunlight Readable LCD + TouchScreen + Hard Tip Stylus, AC Adapter & Power Cord, WiFi + BT, 1D/2D Honeywell N6603 Barcode Reader, Smart Card Reader, Low Temp -21°C, TPM 2.0, IP65, 3 Year Warranty	1
		GE-SVBTEXT2Y	Extended Warranty - Battery (Years 2 & 3)	1
x001CB	HHT-C Warranty Upgrade to Add 2 Additional Years (Total 5 Year Warranty)	GE-SVTBNFX5Y	Extended Warranty - Tablet (Years 4 & 5)	1
x001CC	HHT-C Holster and Shoulder Strap	GMS2X4	Shoulder Strap, 2-Point	1
		GMHRXD	Bracket with Rotating Hand Strap and Kickstand	1



CLIN / SLIN	Products / Services	Model / Part Number	Description	Quantity
x001CD	HHT-C Rechargeable Battery	TBM3X2	Hot Swappable Battery	1
		GE-SVBTEXT2Y	Extended Warranty - Battery (Years 2 & 3)	1
x001CE	HHT-C Multiple (2) Battery Charger	TCMCU7	External Dual Bay Main Battery Charger, Includes Power Supply and Power Cord.	1
x001CF	HHT-C Single Battery Charger / Docking Station	TDOFU5	Office Dock. Includes (1) USB 3.0, (3) USB 2.0, (1) HDMI, (1) VGA, (1) RJ45 Ethernet, (2) Serial. Includes Power Supply and Power Cord.	1
		Lowry-USBHost	USB Cable for Host Connection, 6 Ft.	1
x001CG	HHT-C One Pack of (1) Tethered Replacement Styli	GMPSX9	Capacitive Hard Tip Stylus & Tether (Spare)	1
x001CH	HHT-C Transparent Screen Protector	GMPFXH	Screen Protection Film	1

CLIN / SLIN	Products / Services	Model / Part Number	Description	Quantity
x001CJ	HHT-C Portable Printer Interface Connection and Cable	210304-100-SP	Cable, USB A to Mini-B	1
x001CK	HHT-C Detachable Hand Strap	GMHRXD	Bracket with Rotating Hand Strap and Kickstand	1
x001CM	HHT-C Carrying Case	3i-1309-6B-E	iSeries 1309-6 Waterproof Utility Case, IP67	1

4.1.4 CLIN x001DA Hand-Held Barcode Terminal D (HHT-D) Small Display, Integrated Imager, Full Alphanumeric Keypad Capability and NI Certified



Lowry is offering the Juniper Mesa 2 Full Rugged Tablet for HHT-D. The Mesa 2 brings with it a whole new data collection experience and is built ultra-tough for unwavering reliability in the most rugged conditions out there. As the first Windows 10 tablet on the market with the highest certified protection against water and dust, the Mesa 2 Rugged Tablet has an impressive IP68 rating and is designed to exceed MIL-STD-810G for water, humidity, sand and dust, vibration, altitude, shock, and temperature. Work in hot, cold, wet, or dusty conditions, the Mesa 2 allows you to collect and analyze your data from start to finish, without ever touching a desktop.

The Mesa 2 battery is easily changeable in the field and is optimized for strong performance in cold temperatures with excellent lifecycle performance

Mesa 2 features that meet or exceed the HHT-D specific requirements:

- a. 7" WXGA (1280 x 800) high-visibility backlit LCD display for best-in-class sunlight visibility (exceeds)
- b. Integrated with Motorola's SE4710 1D/2D barcode imager
- c. Full alphanumeric on-screen keypad (OSK)
- d. Long-range Bluetooth® Smart Ready wireless technology, v4.0 +EDR and IEEE 802.11 a/b/g/n wireless communications function
- e. Non-Incendive certified for Hazardous Locations (Class 1, Division 2, Groups A, B, C, and D & Class 2, Division 2, Groups F, G & Class 3, Division 2)
- f. Intel® Atom™ Z3745 Processor quad-core 64-bit, 1.33 GHz & up to 1.86 GHz burst processing speed GHz and 4GB of RAM for superior computing, performance, and application response time
- g. Ruggedized, industrially hardened 128 GB Solid State Drive
- h. Up to 8–10 hours of battery life with one charge
- i. Power input jack x1, USB 3.0 x1, Docking Port connections (PWR, USB 2.0, HDMI) x1, micro HDMI Out x1
- j. Durable Ruggedized, chemical- and shock-resistant design weighs 1.5-2 lbs.

Mesa 2 features that exceed the HHT general requirements:

- MIL-STD-810G certified and IP68 waterproof/dustproof certified
- -4°F to 122°F Operating temperature range

Lowry will include the Apriva BT200Z smart card reader in the HHT-D CLIN. The BT200Z is a small, wearable, ISO9001 manufactured device and offers flexible connections via USB or Bluetooth. Lowry will also include the BT200Z Universal AC charger to allow for charging the Bluetooth CAC card reader from an AC electrical source.

Cables:

CLIN	Part/Model # if Available	Description	Cable From	Cable To
X001DF	Lowry-USBHost	Part of "HHT-D Single Battery Charger / Docking Station" - USB Cable for Host Connection, 6 Ft.	Single Battery Charger / Docking Station	Computer / PC / Host
X001DJ	210304-100-SP	HHT-D Portable Printer Interface Connection and Cable (Cable, USB-A to Mini-B)	HHT-D	CLIN X005AA Portable / Wearable Barcode Label Printer



BOM:

CLIN / SLIN	Products / Services	Model / Part Number	Description	Quantity
x001DA	Hand-Held Barcode Terminal D (HHT-D) Small Display, Integrated Imager, Full Alphanumeric Keypad Capability and NI Certified	MS2-218-HL	Mesa 2, TAA, Non-Incendive Class I, II, III, Div. 2 HazLoc, 7" Display, No Cameras, Quad-Core Intel Atom Z3745, Base Processor Speed 1.33 GHz, Max Processor Speed 1.86 GHz, Windows 10 Pro, 4GB RAM, 128GB, Soft Tip Stylus, AC Adapter & Power Cord, WiFi + Bluetooth, 1D/2D Motorola SE4710 Barcode Reader, Hot Swappable Battery, 3 Year Warranty	1
		Z-100141	Apriva BT200Z Bluetooth Smart Card Reader. Includes CAC-Enablement Software, Apriva CSPware and Guard, , USB to mini-USB Cable	1
		Z-100146	Universal AC Charger Kit	1
x001DB	HHT-D Warranty Upgrade to Add 2 Additional Years (Total 5 Year Warranty)	26420	Extends Warranty (1) Additional Year	2
x001DC	HHT-D Holster and Shoulder Strap	12867	Soft padded top load case, with velcro flap closure, front cable storage pocket, belt loop and adjustable	1



CLIN / SLIN	Products / Services	Model / Part Number	Description	Quantity
			shoulder strap. High visibility safety orange.	
x001DD	HHT-D Rechargeable Battery	28795	Mesa 2 Removable Battery with 3 Year Warranty	1
x001DE	HHT-D Multiple (2) Battery Charger	28738	Mesa 2 Multiple (2) Battery Charger, Includes Power Supply	1
x001DF	HHT-D Single Battery Charger / Docking Station	26362	Desktop Ethernet Docking Station for Mesa 2. Mesa 2 is secured to dock in landscape orientation. Includes: 12VDC power port, three (3) USB ports (Host), RJ-45 Ethernet 10/100T port, (1) HDMI port. Dock is designed to be used with Mesa 2 Wall Charger. Ports require external power to be applied. Includes Kensington Lock Port.	1
		26371	45W Universal AC Power Supply Kit	1



CLIN / SLIN	Products / Services	Model / Part Number	Description	Quantity
		HD2VGAE2	HDMI to VGA Adapter	1
		Lowry-USBHost	USB Cable for Host Connection, 6 Ft.	1
x001DG	HHT-D One Pack of (1) Tethered Replacement Styli	25676	Replacement Stylus for Mesa 2 Rugged Tablet	1
x001DH	HHT-D Transparent Screen Protector	25675	Polarized Screen Protector, (single)	1
x001DJ	HHT-D Portable Printer Interface Connection and Cable	210304-100-SP	Cable, USB A to Mini-B	1
x001DK	HHT-D Detachable Hand Strap	25320	Durable elastic band adjustable hand strap with quick release clip on one end.	1
x001DM	HHT-D Carrying Case	3i-1309-6B-E	iSeries 1309-6 Waterproof Utility Case, IP67	1

4.1.5 CLIN x001EA Hand-Held Barcode Terminal D (HHT-D) Small Display, Integrated Imager, Full Alphanumeric Keypad Capability and NI Certified



Lowry is offering the Juniper Mesa 2 Fully Rugged Tablet for HHT-E as described in section 3.1.4, however the HHT-E offering comes with the pistol grip HazLoc approved connectors and a dual-stage trigger pistol grip.

Cables:

CLIN	Part/Model # if Available	Description	Cable From	Cable To
X001EF	Lowry-USBHost	Part of "HHT-E Single Battery Charger / Docking Station" - USB Cable for Host Connection, 6 Ft.	Single Battery Charger / Docking Station	Computer / PC / Host
X001EJ	210304-100-SP	HHT-E Portable Printer Interface Connection and Cable (Cable, USB-A to Mini-B)	HHT-E	CLIN X005AA Portable / Wearable Barcode Label Printer

BOM:

CLIN / SLIN	Products / Services	Model / Part Number	Description	Quantity
x001EA	Hand Held Barcode Terminal E (HHT-E) Small Display, Integrated Imager, Full Alphanumeric Keypad Capability, NI Certified, and Pistol Grip	MS2-221-HL	Mesa 2, TAA, Non-Incendive Class I, II, III, Div. 2 HazLoc, Pistol Grip, 7" Display, No Cameras, Quad-Core Intel Atom Z3745, Base Processor Speed 1.33 GHz, Max Processor	1



CLIN / SLIN	Products / Services	Model / Part Number	Description	Quantity
			Speed 1.86 GHz, Windows 10 Pro, 4GB RAM, 128GB, Soft Tip Stylus, AC Adapter & Power Cord, WiFi + Bluetooth, 1D/2D Motorola SE4710 Barcode Reader, Hot Swappable Battery, 3 Year Warranty	
		Z-100141	Apriva BT200Z Bluetooth Smart Card Reader. Includes CAC-Enablement Software, Apriva CSPware and Guard, USB to mini-USB Cable	1
		Z-100146	Universal AC Charger Kit	1
x001EB	HHT-E Warranty Upgrade to Add 2 Additional Years (Total 5 Year Warranty)	26420	Extends Warranty (1) Additional Year	2
x001EC	HHT-E Holster and Shoulder Strap	26668	Belt or shoulder strap mount case for the Mesa 2 with pistol grip. Allows for easy carry and deployment of the Mesa 2 with pistol grip and for storage when not in use.	1
		25378	Padded Shoulder Strap	1



CLIN / SLIN	Products / Services	Model / Part Number	Description	Quantity
x001ED	HHT-E Rechargeable Battery	28795	Mesa 2 Removable Battery with 3 Year Warranty	1
x001EE	HHT-E Multiple (2) Battery Charger	28738	Mesa 2 Multiple (2) Battery Charger, Includes Power Supply	1
x001EF	HHT-E Single Battery Charger / Docking Station	26362	Desktop Ethernet Docking Station for Mesa 2. Mesa 2 is secured to dock in landscape orientation. Includes: 12VDC power port, three (3) USB ports (Host), RJ-45 Ethernet 10/100T port, (1) HDMI port. Dock is designed to be used with Mesa 2 Wall Charger. Ports require external power to be applied. Includes Kensington Lock Port.	1
		26371	45W Universal AC Power Supply Kit	1
		HD2VGAE2	HDMI to VGA Adapter	1

CLIN / SLIN	Products / Services	Model / Part Number	Description	Quantity
		Lowry-USBHost	USB Cable for Host Connection, 6 Ft.	1
x001EG	HHT-E One Pack of (1) Tethered Replacement Styli	25676	Replacement Stylus for Mesa 2 Rugged Tablet	1
x001EH	HHT-D Transparent Screen Protector	25675	Polarized Screen Protector, (single)	1
x001EJ	HHT-E Portable Printer Interface Connection and Cable	210304-100-SP	Cable, USB A to Mini-B	1
x001EK	HHT-E Detachable Hand Strap	25320	Durable elastic band adjustable hand strap with quick release clip on one end.	1
x001EM	HHT-E Carrying Case	3i-1309-6B-E	iSeries 1309-6 Waterproof Utility Case, IP67	1

4.2 Barcode Scanning/Imaging Devices

Lowry is offering the Honeywell Granit™ series ruggedized industrial barcode imagers for the barcode scanning/imaging devices. The Granit series scanners are designed to read:

- a. 1D and 2D barcodes listed in PWS paragraph 3.11, "Barcode Symbologies" in harsh at depth of field of at least 4" for low and medium density bar codes and 2" for high density bar codes and 2D bar codes.

- b. minimum print quality of grade C bar codes in accordance with ANSI INCITS 182-1990 (R2002)
- c. in unpredictable environments

Honeywell barcode imagers are factory programmed for the most common terminal and communications settings. Changes to the scanner settings can be programmed as needed by scanning the barcodes in the owner's guide. A scanner or cordless base can be connected to the USB port of a computer and used as a "keyboard wedge" to provide data output simulating keyboard entries that inherently perform data conversion (user configurable) to substitute printable characters for the non-printable ASCII characters utilized in IUID data syntax.

All Granit scanners are IP65 rating, and the scanner CLINs include a desktop stand and strain-relieved USB cable.

4.2.1 CLIN x003AA Imager for PC Input - General Barcode (Tethered)



Lowry is offering the Honeywell Granit™ 1910i (wired) extended range industrial barcode imager for the general tether barcode scanner. The Granit™ 1910i industrial-grade area-imaging scanner is designed to withstand the varied demands that exist in harsh working environments. Featuring a custom-built housing that is redefining the standard for scanner reliability, the IP65 rated 1910i is built to survive 5,000 3.3' (1 m) tumbles and 50 drops to concrete from 6.5' (2 m) even at -22°F (-30°C). As a result, businesses deploying this industry leading offering can expect to experience minimal device downtime and a lower overall cost of ownership.

Super bright LEDs, enhanced beeper volume, and vibrating tactile response counter loud machinery and poor lighting conditions, ensuring rapid feedback and eliminating redundant scanning.

Honeywell Granit 1910i Scanner Features

- a. Ruggedized custom-built IP65-rated housing can withstand 5,000 3.3' (1 m) tumbles and survive 50 drops from 6.5' (2 m) at -4°F (-20°C) reducing service costs and increasing device uptime
- b. Operating temperature range of -30°C to 50°C (-22°F to 122°F), Storage temperature of -40°C to 70°C (-40°F to 158°F)
- c. Honeywell's Adaptus™ 6.0 imaging technology and its advanced decoding architecture reads virtually all 1D/2D barcode symbologies including Code 39, Code 128, CODABAR, Interleaved 2 of 5, GS1 Barcodes, Universal Product Code (UPC), Data Matrix ECC 200, and Portable Data File (PDF) 417, high-contrast data plate markings and IUID markings

- d. Reads bar codes printed with direct thermal, thermal transfer, dot matrix, ink jet, and laser technologies, as well as bar codes printed on colored substrates with as little as 20% minimum reflectance difference
- e. With its extended linear depth-of-field, the scanner scans out-of-reach items with ease and allows users to scan 20 mil linear codes out to 75 cm (29.5 in) without sacrificing performance on 2D codes.
- f. TotalFreedom™ 2.0 development platform enables the loading and linking of multiple applications to enhance image decoding, data formatting/image processing and perform data conversion to substitute printable characters.
- g. Excellent ability to scan poor quality or damaged codes, maintaining productivity and minimizing manual entry.
- h. Integrated laser pointer aiming system with auto-illumination, omni-directional reading capability, and support for centering to take the guesswork out of scanning
- i. Configurable as a keyboard wedge utilizing USB connection.

Cables:

CLIN	Part/Model # if Available	Description	Cable From	Cable To
X003AA	CBL-500-300-C00	Part of "Imager for PC Input – General Barcode (Tethered)" – Cable: USB, Black, Type A, 3M, Coiled, 5V Host Power	1910IER-3-AIT-N	Computer / PC / Tablet

BOM:

CLIN / SLIN	Products / Services	Model / Part Number	Description	Quantity
x003AA	Imager for PC Input - General Barcode (Tethered)	1910IER-3-AIT-N	Granit 1910i Scanner, 1D, PDF417, 2D, RS232/USB/KBW, 3 Year Warranty	1
		CBL-500-300-C00	Cable: USB, Black, Type A, 3M (9.8'), Coiled, 5V Host Power	1

CLIN / SLIN	Products / Services	Model / Part Number	Description	Quantity
		HOLDER-010-U	Holder: Desktop/Wall Mount (Includes Mounting Hardware)	1

4.2.2 CLIN x003AB Imager for PC Input - General Barcode (Bluetooth)



Lowry is offering the Honeywell Granit™ 1911i (wireless) extended range industrial barcode imager for the general Bluetooth barcode scanner. The Granit 1911i wireless area-imaging scanner is optimized for scanning of 1D and 2D barcodes, delivering exceptional performance and class-leading durability in harsh industrial environments.

Featuring a custom-built housing that is redefining the standard for scanner reliability, the IP65 rated Granit 1911i is built to survive 5,000 3.3' tumbles and 50 drops to concrete from 6.5' even at -4 degrees F. As a result, businesses can expect to experience minimal device downtime and a lower overall cost of ownership.

Powered by Honeywell's Adaptus™ 6.0 imaging technology and its revolutionary decoding architecture, the Granit 1911i provides users with the same exceptional bar code reading performance as the best-in-class Xenon™ series of area-imaging scanners. From poorly printed and damaged codes to low density linear codes, the Granit 1911i is built to read virtually all bar codes with ease supporting maximum operator productivity with its enhanced illumination, crisp laser aiming and extended depth-of-field.

The Granit 1911i's Class 1 Bluetooth radio communicates with the scanner dock at ranges up to 100 meters. When scanning outside the Bluetooth range the Granit 1911i stores the data onboard the scanner and automatically forwards the data once the connection is reestablished.

Honeywell Granit 1911i Scanner Features

- a. Ruggedized custom-built IP65-rated housing can withstand 5,000 3.3' (1 m) tumbles and survive 50 drops from 6.5' (2 m) at -4°F (-20°C) reducing service costs and increasing device uptime
- b. Operating temperature range of -20°C to 50°C (-4°F to 122°F), Storage temperature of -40°C to 70°C (-40°F to 158°F)
- c. Honeywell's Adaptus™ 6.0 imaging technology and its advanced decoding architecture reads virtually all 1D/2D barcode symbologies including Code 39, Code 128, CODABAR, Interleaved 2 of 5, GS1 Barcodes, Universal Product Code (UPC), Data Matrix ECC 200, and Portable Data File (PDF) 417, and high-contrast data plate markings
- d. Reads bar codes printed with direct thermal, thermal transfer, dot matrix, ink jet, and laser technologies, as well as bar codes printed on colored substrates with as little as 20% minimum reflectance contrast difference
- e. FIPS 140-2 level 1 compliant Bluetooth Class 1, v2.1 radio enables movement up to 100 m (300 ft) from the base, and reduces interference with other wireless systems
- f. The long-lasting Lithium-Ion battery powers up to 50,000 scans per full charge and is removable without tools, providing up to 14 hours of battery life
- g. With its extended linear depth-of-field, the scanner scans out-of-reach items with ease and allows users to scan 20 mil linear codes out to 75 cm (29.5 in) without sacrificing performance on 2D codes.
- h. TotalFreedom™ 2.0 development platform enables the loading and linking of multiple applications to enhance image decoding, data formatting/image processing and perform data conversion to substitute printable characters.
- i. Excellent ability to scan poor quality or damaged codes, maintaining productivity and minimizing manual entry.
- j. Integrated laser pointer aiming system with auto-illumination, omni-directional reading capability, and support for centering to take the guesswork out of scanning

Configurable as a keyboard wedge utilizing FIPS 140-2 level 1 Bluetooth connection

BOM:

CLIN / SLIN	Products / Services	Model / Part Number	Description	Quantity
x003AB	Imager for PC Input - General Barcode (Bluetooth)	1911iER-3USB-5-G	Granit 1911i Scanner USB Kit: 1D, PDF417, 2D, ER Focus, Charge & Communication Base, USB Type A 3M Straight Cable, With Vibrator, 3 Year Warranty	1

CLIN / SLIN	Products / Services	Model / Part Number	Description	Quantity
		SVCBATTERY-SCN3	Add On, Battery, Scanner, 3 Year Warranty	1

4.2.3 CLIN x003AC Imager for PC Input – IUID Label Markings



Lowry is offering the Honeywell Granit™ 1910i (wired) industrial barcode imager for the Imager for PC Input – IUID Label Markings that is described in section 3.2.1.

Cables:

CLIN	Part/Model # if Available	Description	Cable From	Cable To
X003AC	CBL-500-300-C00	Part of “Imager for PC Input – IUID Label Markings” – Cable: USB, Black, Type A, 3M, Coiled, 5V Host Power	1910IER-3-AIT-N	Computer / PC / Tablet

BOM:

CLIN / SLIN	Products / Services	Model / Part Number	Description	Quantity
x003AC	Imager for PC Input - IUID Label Markings	1910IER-3-AIT-N	Granit 1910i Scanner, 1D, PDF417, 2D, RS232/USB/KBW, 3 Year Warranty	1

CLIN / SLIN	Products / Services	Model / Part Number	Description	Quantity
		CBL-500-300-C00	Cable: USB, Black, Type A, 3M (9.8'), Coiled, 5V Host Power	1
		HOLDER-010-U	Holder: Desktop/Wall Mount (Includes Mounting Hardware)	1

4.2.4 CLIN x003AD Imager for PC Input – IUID Direct Part Markings



Lowry is offering the Honeywell Granit™ 1920i (wired) industrial DPM barcode imager for the IUID direct part marking barcode scanner.

Powered by Honeywell’s advanced decoding architecture, the Granit 1920i DPM scanner provides the superior scanning performance to read every type of direct part mark and ensure the highest first pass read rates on even the toughest marks – regardless of size, surface, marking method or contrast. In addition to DPM reading capability, the 1920i also reads standard 1D and 2D barcodes on printed labels.

Honeywell Granit 1920i DPM Scanner Features

- a. Ruggedized custom-built IP65-rated housing can withstand 5,000 3.3' (1 m) tumbles and survive 50 drops from 6.5' (2 m) at -22°F (-30°C) reducing service costs and increasing device uptime
- b. Operating temperature range of -30°C to 50°C (-22°F to 122°F), Storage temperature of -40°C to 70°C (-40°F to 158°F)
- c. Honeywell’s Adaptus™ 6.0 imaging technology and its advanced decoding architecture reads virtually all 1D/2D barcode symbologies including Code 39, Code 128, CODABAR, Interleaved 2

- of 5, GS1 Barcodes, Universal Product Code (UPC), Data Matrix ECC 200, and Portable Data File (PDF) 417, DPM, IUID, and high-contrast data plate markings
- d. Reads bar codes printed with direct thermal, thermal transfer, dot matrix, ink jet, and laser technologies, as well as bar codes printed on colored substrates.
- e. Specialized DPM decoder assures high and accurate reading yields of virtually all direct part marks with as little as 25% minimum reflectance difference
- f. TotalFreedom™ 2.0 development platform enables the loading and linking of multiple applications to enhance image decoding, data formatting/image processing and perform data conversion to substitute printable characters.
- g. Excellent ability to scan poor quality or damaged codes, maintaining productivity and minimizing manual entry.
- h. Integrated laser pointer aiming system with auto-illumination, omni-directional reading capability, and support for centering to take the guesswork out of scanning
- i. Configurable as a keyboard wedge utilizing USB connection

Cables:

CLIN	Part/Model # if Available	Description	Cable From	Cable To
X003AD	CBL-500-300-C00	Part of "Imager for PC Input – General Barcode (Tethered)" – Cable: USB, Black, Type A, 3M, Coiled, 5V Host Power	1920IDPM-3USB-G	Computer / PC / Tablet

BOM:

CLIN / SLIN	Products / Services	Model / Part Number	Description	Quantity
x003AD	Imager for PC Input - IUID Direct Part Markings	1920IDPM-3USB-G	Granit 1920i Scanner, DPM, 3 Year Warranty	1
		CBL-500-300-C00	Cable: USB, Black, Type A, 3M (9.8'), coiled, 5V Host Power	1

CLIN / SLIN	Products / Services	Model / Part Number	Description	Quantity
		HOLDER-010-U	Holder: Desktop/Wall Mount (Includes Mounting Hardware)	1

4.2.5 CLIN x003AE Imager with Extended Reading Range for PC Input - General Barcode (Tethered)



Lowry is offering the Granit™ 1980i (wired) barcode imager for the extended reading range general tethered barcode scanner. The Granit™ 1980i industrial-grade scanner features full-range area-imaging technology capable of reading both 1D and 2D barcodes across a wide range of distances. From poor quality 2 mil codes scanned at close range, to 100 mil codes hanging from warehouse rafters scanned at ranges of 52 feet (16m), the 1980i is built to perform. With an unmatched range that provides incredible versatility, Granit enables maximum operator productivity in the harshest environments.

As a member of the Granit family of scanners, the 1980i is built to withstand the varied demands of harsh working environments. Utilizing the Granit housing that has long set the standard for scanner reliability, the 1980i is rated IP65 and is built to survive 5,000 tumbles from 3.2 feet (1m) and 50 drops to concrete from 6.5 feet (2m) in temperatures as low as -22°F (-30°C).

- a. Ruggedized custom-built IP65-rated housing can withstand 5,000 3.3' (1 m) tumbles and survive 50 drops from 6.5' (2 m) at -22°F (-30°C) reducing service costs and increasing device uptime.
- b. Operating temperature range of -30°C to 50°C (-22°F to 122°F), Storage temperature of -40°C to 70°C (-40°F to 158°F).
- c. Honeywell's Adaptus™ 6.0 imaging technology and its advanced decoding architecture reads virtually all 1D/2D barcode symbologies including Code 39, Code 128, CODABAR, Interleaved 2 of 5, GS1 Barcodes, Universal Product Code (UPC), Data Matrix ECC 200, Portable Data File (PDF) 417, data plate markings
- d. Reads bar codes printed with direct thermal, thermal transfer, dot matrix, ink jet, and laser technologies, as well as bar codes printed on colored substrates.
- e. Full-range imaging performance scans low-density (100mil) codes out to 16 m (52 ft) and high-density (2 mil) codes at close range.

- f. TotalFreedom™ 2.0 development platform enables the loading and linking of multiple applications to enhance image decoding, data formatting/image processing and perform data conversion to substitute printable characters.
- g. Excellent ability to scan poor quality or damaged codes, maintaining productivity and minimizing manual entry.
- h. Integrated laser pointer aiming system with auto-illumination, omni-directional reading capability, and support for centering to take the guesswork out of scanning at extended ranges.

Cables:

CLIN	Part/Model # if Available	Description	Cable From	Cable To
X003AE	CBL-500-300-C00	Part of "Imager for PC Input – General Barcode (Tethered)" – Cable: USB, Black, Type A, 3M, Coiled, 5V Host Power	1980IFR-3-N	Computer / PC / Tablet

BOM:

CLIN / SLIN	Products / Services	Model / Part Number	Description	Quantity
x003AE	Imager with Extended Reading Range for PC Input - General Barcode (Tethered)	1980IFR-3-N	Granit 1980i Scanner, 1D, 2D, FR Focus, RS232/USB/KBW, 3 Year Warranty	1
		CBL-500-300-C00	Cable: USB, Black, Type A, 3M (9.8'), coiled, 5V Host Power	1
		HOLDER-010-U	Holder: Desktop/Wall Mount (Includes Mounting Hardware)	1

4.3 Barcode Label Printers

The ruggedized barcode printers offered in this section are designed to print individual and bulk labels in a warehouse production environment. Capable of printing on synthetic and paper label media and virtually all major 1D, 2D, and composite symbologies at 203 dpi in all four ladder and picket fence

orientations. The offered printers can create Department of Defense forms with Grade A quality. All required drivers will be provided and are optimized to run on the latest Microsoft Windows operating system with the latest service pack installed.

4.3.1 CLIN x005AA Portable/Wearable Barcode Label Printer



Lowry is offering the Honeywell RL4e for the portable/wearable barcode label printer. The RL4e (105 mm/4.125 in) rugged mobile label printers improve efficiency and productivity by allowing your team to print and apply barcode labels directly at the point of application.

By using these RL4e mobile printer to print on-demand labels, you'll also eliminate the danger of mixing up batch-printed labels, which can lead to costly shipping errors. You can even mount RL4e printer on forklifts for added convenience and versatility.

The Rugged and reliable RL4e printer weighs just over 2 lbs. and continues to print after 26 consecutive drops to concrete from 1.8 m (6 ft) even in extreme temperature conditions.

The compact size of the RL4e & IP54 rating carrying case with a shoulder strap allows you to easily carry the portable/wearable barcode label printer and operate with one hand. The included removable lithium-ion battery & charger offers maximum power capacity for an eight-hour shift. With a recharge time of between 4-6 hours in temperature range between 5° to 40°C (41° to 104°F) to get you back in the field quickly.

Specifications at a glance:

- a. Direct thermal printhead
- b. Operating temperature range between -20° to 50°C (4° to 122°F), storage temperature range between -40° to 60°C(40° to 140°F)
- c. Resolution prints 8 dots/mm (203 dpi)
- d. Media width range of 51 mm to 105 mm (2 in to 4.12 in)
- e. Maximum print width of 105 mm (4.125 in)
- f. Print Mechanism Speed up to 102 mm (4 in) per second
- g. Prints more than 320 4X6 inch labels over 16 hours

- h. Separately orderable 4"x6" weatherproof labels allow for printing applications where resistance against water, oil, and chemicals is required.
- i. Included USB cable allows for direct connection to a computer
- j. Batch configuration that only provides USB/Serial connectivity options, no Bluetooth/Wireless

Cables:

CLIN	Part/Model # if Available	Description	Cable From	Cable To
X005AA	210304-100-SP	Part of "Portable/Wearable Barcode Label Printer) – Cable, USB A to Mini-B, 4 Ft.	RL4-DP-50000010	Computer / PC / Tablet

BOM:

CLIN / SLIN	Products / Services	Model / Part Number	Description	Quantity
x005AA	Portable/Wearable Barcode Label Printer	RL4-DP-50000010	RL4e, 4" Label/ Receipt Printer, 64MB/128MB, Serial/USB, ECharge, LCD, Includes Operational Battery	1
		220515-100	AC Adapter for Charging	1
		210304-100-SP	Cable, USB A to Mini-B, 4'	1
		SVCRL4E-EXW3	RL4E, 3 Year Warranty	1



CLIN / SLIN	Products / Services	Model / Part Number	Description	Quantity
		SVCBATTERY-PRN3	Add On, Battery, Printer, 3 Year Warranty	1
x005AB	RESERVE	RESERVE	RESERVE	
x005AC	Battery Charger for Portable/Wearable Barcode Label Printer	220275-000-SP	Battery Charger, RL/RLe Series, 2-Bay	1
		220515-100	AC Adapter for Charging	1
x005AD	Carrying Case with Strap for Portable/Wearable Barcode Label Printer	750323-001	RL4, Case, IP54	1
		210302-000	Shoulder Strap for RL Mobile Printers	1
x005AE	4" X 6" Label - Portable/Wearable BC Label Printer (1 Roll)	4X6 Duratherm EL	4" X 6" Duratherm Synthetic Label, 2.6" OD, .75" Core, 145 Labels/Roll	1

4.3.2 CLIN x005BA Stationary Barcode Label Printer



Lowry is offering the Honeywell PD43 for the stationary barcode label printer. The PD43 family of light industrial thermal printers incorporate the latest printing innovations into a compact and affordable package. Ideal for tight spaces, shallow countertops, and pull-out cabinets, the PD series was designed to deliver no-compromise printing performance in the smallest possible footprint. Suited for the distribution center and warehouse, the PD43 upholds the PD series' long tradition of reliable performance.

An all-metal chassis, strong cast-aluminum print mechanism, and tool-free printhead and roller replacement help minimize downtime and maintenance needs. The PD43 can support a wide range of media—including ink-in and ink-out ribbons with half-inch or one-inch core sizes—making it possible to maximize time between media resupply. Fast time-to-label and print speeds up to 200 mm/s (8 in/s) ensure PD43 can scale with the changing needs of dynamic operations.

PD43 Features

- a. Prints all Major 1D, 2D, and composite symbologies at 203 dpi resolution
- b. Operating temperature range between -20° to 50°C (4° to 122°F), storage temperature range between -40° to 60°C(40° to 140°F)
- c. Media width range of 19 mm (0.75 in) to 118 mm (4.65 in) and media length range of 6.4 mm (0.25 in) to 172.7 cm (68.0 in), automatic sensing
- d. Max media diameter of 213 mm (8.375 in)
- e. Maximum print width of 104 mm (4.1 in)
- f. Print speed of 203 mm/s (8.0 in/s) at 203 dpi
- g. On-demand, continuous all-day printing
- h. Intuitive, 10-language color display or icon interface simplifies setup and maintenance.
- i. Internal Ethernet (NIC), USB port
- j. Able to print 8-inch diameter roll of 4" X 6", 4" X 3" synthetic Label stock and Resin-based Printer Ribbon for 4-inch width labels.
- k. USB cable included in CLIN

Cables:

CLIN	Part/Model # if Available	Description	Cable From	Cable To
X005BA	321-576-004	Part of "Stationary Barcode Label Printer" – Cable, USB-A to USB-B, 2M	PD43AG3100010201	Computer / PC / Tablet

BOM:

CLIN / SLIN	Products / Services	Model / Part Number	Description	Quantity
SLIN 0005BA	Stationary Barcode Label Printer	PD43AG3100010201	PD43G, Gov, Ethernet, USB Thermal Transfer, 203 dpi, Power Supply & Cord	1
		321-576-004	Cable, USB-A to USB-B, 2M RoHS	1
		SVCPD43-EXW3	PD43, 3 Year Warranty	1

4.3.3 CLIN x005BB Stationary Barcode Label Printer, with Installed Take-Up Reel



Lowry is offering the Honeywell PM43 industrial thermal transfer printer for the stationary barcode label printer with installed take-up reel. The PM43 mid-range industrial printers deliver fast print speeds, drop-in deployment, advanced connectivity and proven reliability. Built to deliver maximum uptime, PM

Series printers are available with either a tamper-proof color touchscreen in 10 languages, or a universal icon interface. This enables immediate notifications through the printer interface, reducing your workforce training and device support needs.

The strong, metal construction of the PM43 is perfect for harsh industrial environments. With Precision Print, even the smallest barcodes and images can be printed with pinpoint accuracy with no frequent media adjustments necessary.

Each PM43 printer has an integrated web interface that allows for easy setup, monitoring and configuration through devices like handheld computers, tablets or smartphones. Integrated device management and diagnostic capabilities, provided through the Honeywell SmartSystems™ Foundation and Wavelink Avalanche®, reduce downtime and simplify deployment.

PM43 Features

- a. Prints all Major 1D, 2D, and composite symbologies at 203 dpi resolution
- b. Thermal transfer printer
- c. Operating temperature range between +5°C to +40°C (+41°F to +104°F), storage temperature range between -20°C to +70°C (-4°F to +152°F)
- d. Media width range of 19 mm (0.75 in) to 114 mm (4.5 in)
- e. Maximum print width of 108 mm (4.25 in)
- f. Max label roll diameter of 213 mm (8.38 in)
- g. Print speed of 100–300 mm/s (4–12 in/s)
- h. On-demand, continuous all-day printing
- i. Intuitive, 10-language color display or icon interface simplifies setup and maintenance.
- j. Ethernet, Parallel, & (2) USB 2.0 ports allow for direct connection to computer using USB cable
- k. Wireless 802.11a/b/g/n and Bluetooth® connectivity
- l. Able to print 8-inch diameter roll of 4" X 6", 4" X 3" synthetic Label stock and Resin-based Printer Ribbon for 4-inch width labels.

Cables:

CLIN	Part/Model # if Available	Description	Cable From	Cable To
X005BB	321-576-004	Part of "Stationary Barcode Label Printer, with Installed Take-up Reel" – Cable, USB-A to USB-B, 2M	PM43G11010050201	Computer / PC / Tablet

BOM:

CLIN / SLIN	Products / Services	Model / Part Number	Description	Quantity
x005BB	Stationary Barcode Label Printer, with Installed Take-up Reel	PM43G11010050201	PM43G, Gov, Full Touch Display, Ethernet, Parallel, USB, Full Batch Rewinder, Hanger, Thermal Transfer, 203 dpi, Power Supply & Cord	1
		321-576-004	Cable, USB-A to USB-B, 2M RoHS	1
		SVCPM43-EXW3	PM43, 3 Year Warranty	1

The following separately orderable supplies can be used with CLIN x005BA and/or x005BB:

CLIN / SLIN	Products / Services	Model / Part Number	Description	Quantity
x005BC	Roll of 4" X 6" Synthetic Label Stock (8" Diameter Roll) for Stationary BC Label Printer (1 Roll)	308-55958	4" X 6" Matte White Poly Label, Permanent Adhesive, w/ Perf, 950 Labels/Roll, 3" Core, 8" OD	1
x005BD	Roll of 4" X 3" Synthetic Label Stock (8" Diameter Roll) for Stationary BC Label Printer (1 Roll)	308-55957	4" X 3" Matte White Poly Label, Permanent Adhesive, w/ Perf, 1800 Labels/Roll, 3" Core, 8" OD	1
x005BE	Resin Ribbon for 4" Width Labels for Stationary BC Label Printer	18107889	4.33" X 450M Black Resin Ribbon	1

4.4 Item Unique Identification (IUID) Marking and Verification Equipment

4.4.1 CLIN x007AA Laser Marking Equipment



Lowry is offering the 40-Watt Epilog Mini 24 Laser CO2 laser marking system kit using BarTender label creation software to meet the AIT-6 PWS laser marking equipment requirements. The Epilog CO2 laser will produce IUID markings on temperature resistant laser etchable layered polyacrylic adhesive film and will cut the film to the actual label size as specified in the PWS. The laser marking system comes with a safe CDRH Class III work enclosure.

The Epilog Mini 24 CO2 laser marking system exceeds the PWS requirements by being able to also mark standard anodized aluminum material with the added capability to mark on bare metal parts or nameplates using the CerMark/TherMark laser marking material coating. The Epilog laser can also cut stencils from oil board material. These added marking capabilities add value to the Government in giving sites more marking capabilities to meet future IUID and general-purpose marking requirements.

The Epilog Mini 24 CO2 laser marking system exceeds the PWS requirements with its standard 12" x 24" marking area. The Epilog system accommodates stock size of 5" X 12" sheets and can cut rolls of temperature-resistant, laser-etchable, layered polyacrylic adhesive film stock to produce white on matte black marking. The larger laser marking area adds value to the Government in giving sites more capabilities to mark larger label sheets and mark directly on larger parts if needed in any future applications. Epilog incorporates an auto-switching power supply that accommodates 110 to 240 volts, 50 or 60 Hz, single phase, 15-amp AC giving the Government more flexibility on power options in the future if needed.

The Epilog print driver is approved for use on military networks and Epilog does not require that a proprietary software program be installed on a PC to run the laser like most laser marking systems are required to have.

The Epilog laser can be configured to print just like a standard office printer, and it can print from Microsoft Word, CorelDraw, BarTender, etc. The Epilog laser marking system includes BarTender Automation Label Creation Software which is approved for use on Army, Navy and Air Force networks. The Army has a CoN (Certificate of Networkiness) for BarTender software. The systems we provide will have the latest revision of BarTender that has a current CoN. We are authorized by Seagull Scientific (BarTender developer) to provide and support older versions of BarTender software to our customers.

BarTender is a very flexible software package that can interface with a barcode scan input or user keyboard for data input. BarTender also easily interfaces to Excel, Access, SAP, Oracle and other data bases for variable data input. BarTender interfaces with the Army developed MCDS IUID Data Management software being used at many Army sites. ID Integration has interfaced the Epilog laser marking systems with BarTender to MCDS at many Army sites and this is a benefit to the Army to utilize ID Integration’s experience for future integration to MCDS. A partial list of Army sites using the Epilog laser marking system is given below.

ID Integration is supplying its own custom BarTender IUID template with the laser marking system kit. The templates support TEI and DI IUID styles which use CAGE or DoDAAC vendor codes. The template text and bar code data automatically switch styles depending on the inclusion or exclusion of certain data fields, use of special characters, and data field length. Input values are auto corrected for case, illegal character, and length limitations. IUID Sequence values are length truncated, when required, to satisfy the overall UII length limit of 50 characters. Use of these template files greatly improves the data quality of a customer’s IUID marks, allowing for a significant reduction of errors found during IUID Verification. IDI has over 15 years’ experience using BarTender to integrate to nearly any enterprise database, or even non-Windows driver marking systems.

The Laser Marking System kit includes a three-year warranty for the laser and air filtration system. The kit also includes a stand with castors for the laser and a starter kit of various laser engravable materials which will be used at customer installation and training.

BOM:

CLIN / SLIN	Products / Services	Model / Part Number	Description	Quantity
x007AA	Laser Marking Equipment	SYAITLM-40EM24	40-Watt Epilog Mini 24 X 12 CO2 Laser Marking System with a 40 Watt CO2 Air Cooled Laser with Safe CDRH Class III Work Enclosure (HeNe Alignment Laser in System), 24" X 12" X 5.5" Engraving Area, 3 Year Warranty. System Includes the Below:	1
		N/A	Stand with Castors for Mini 24 Laser Marking System	1



CLIN / SLIN	Products / Services	Model / Part Number	Description	Quantity
		N/A	Fumex FA1 Air Filtration System with Hose and Connector to Connect to the Laser	1
		N/A	BarTender Automation Label Creation Software	1
		N/A	ID-Integration Developed IUID BarTender Template	1
		N/A	ID-Integration Laser Marking Starter Kit of Different Laser Engravable Materials	1

Lowry will provide the following consumable supplies that are compatible with the laser marking equipment: 1. tesa Secure 6973 PV6 Black Matte 120mm X 200m (4.72" X 656.2') 2. tesa Secure 6973 PV3 Black Matte Kit 12" strips with 25 strips/kit (4.72")

CLIN / SLIN	Products / Services	Model / Part Number	Description	Quantity
x007AB	Adhesive Film Stock (25 Sheets)	520K25	tesa Secure 6973 PV3 Black Matte Kit, 4.72" x 12" Strips, 25 Strips/Kit	1
x007AC	Polyacrylic Adhesive Film Stock (1 Roll)	CS-120R6973PV6BM	tesa Secure 6973 PV6 Black Matte, 4.72" x 656.2'	1

4.4.2 CLIN x007AD Verification Equipment



Axicon Auto ID Ltd was established in 1979 and is a world leader in barcode quality and verification. The company has been in the barcode business for 40 years and is recognized as a global leader in barcode verification. Axicon staff are active participants in the standardization committees of ISO and GS1. GS1 organizations around the world use Axicon verifiers including GS1-USA. Axicon's US office opened in 2005 to manage its business in the Americas.

The Axicon Barcode Verifiers conform to the latest ISO/ANSI print quality standards. Axicon's equipment has been independently tested and conforms to ISO/IEC 15426-1. All Barcode Verifiers have a USB connection and come with free software and unlimited software updates for the life of the verifiers.

The Axicon 15200 barcode Verifier has been specifically designed to read both linear, 2D barcodes, and direct part markings. The 15200 can verify Data Matrix EC 200 marks to ISO 15415, SAE AS9132A, and AIM DPO Guideline standards and can also validate data structure encoded in the marks to DoD IUID Syntax.

The 15200 can read small barcodes with an x-dimension down to 6mils. It has a field of view of 60mm x 45mm and verifies in accordance with the appropriate ISO/IEC standards. The 15200 is solely powered via its USB connection to a PC or laptop which means it is portability enabled when used in conjunction with a laptop computer. The software runs on any Microsoft supported version of Windows, from Windows 7 onwards.

The 15200 can verify linear barcodes up to a maximum length of 2.0" including Quiet Zones, and 2D barcodes should have a maximum size of 2.0" x 1.5" including quiet zones. The 15200 accommodates label and data plate stock up to 12" x 24". The system consists of a state-of-the art array imaging camera and application software.

The Axicon development program means that not only will your verifier always meet the latest ISO/ANSI standard, but also a wide range of application standards. An extensive array of additional reporting tools is also provided with every verifier.

BOM:

CLIN / SLIN	Products / Services	Model / Part Number	Description	Quantity
x007AD	Desktop Verifier for Labels	15200	Axicon 15200 Barcode Verifier	1

4.5 Radio Frequency Data Communication Configurations

Lowry is offering Aruba's Access Points and Gateway. Aruba's RF data communications equipment serve as secure on-ramps to aggregate wireless and wired user traffic to the enterprise network, transporting this traffic between users and the centralized Mobility Controller. Aruba's 802.11ac access points, controllers and software have been listed on the United States Department of Defense's (DoD) Unified Capabilities Approved Products List (UC-APL) and is FIPS 140-2 certified, assuring DoD customers that the products have met rigorous security, interoperability, and performance testing requirements. Aruba has a comprehensive product line for many different deployment environments that might require support for:

- Single and Dual Radio 802.11a/b/g/n/ac
- Wireless and Wired Networks
- Indoor and/or Outdoor Usage
- Telecommuter Deployments
- Harsh Environment / Industrial Applications
- Mesh and Wireless Bridging Deployments
- Unclassified and classified environments
- Operating range of at least 500' in open unrestricted environments.
- Comply with requirements of FCC Part 15, Subparts A, B, and C for Class A digital devices

All radio frequency data communication equipment offered in this section is UC APL approved, are field adjustable, and conform to IEEE 802.11 standards and provide TCP/IP addressing.

4.5.1 CLIN x009AA Radio Frequency Access Point (Indoor Environment)



Lowry is offering Aruba's AP-305 for the Protected Indoor Environment RF Access Point. The Aruba 300 Series access points deliver high performance and superb user experience for medium density

environments such as warehouses and docking areas. Featuring 3x3:3SS MU-MIMO capability, Aruba advanced ClientMatch radio management, and integrated Aruba Beacons, the 300 Series enables an all wireless digital work environment in a cost-effective manner.

With a maximum concurrent data rate of 1,300 Mbps in the 5GHz band and 400 Mbps in the 2.4GHz band (for an aggregate peak data rate of 1.7Gbps), the entry-level 300 Series brings an always-on wireless network experience with the performance required for enterprises. It is ideal for cost sensitive medium density environments across verticals.

The high performance 802.11ac 300 Series supports multiuser MIMO (MU-MIMO) and 3 spatial streams (3SS). It provides simultaneous data transmission to multiple devices (up to two), maximizing data throughput and improving network efficiency.

Three integrated dual-band down tilt omni-directional antennas for 3x3 MIMO with maximum antenna gain of 3.9dBi in 2.4GHz and 5.4dBi in 5GHz. Built-in antennas are optimized for horizontal ceiling mounted orientation of the AP. The down tilt angle for maximum gain is roughly 30 degrees.

The Aruba AP-305 supports direct DC power and Power over Ethernet (PoE). When both power sources are available, DC power takes priority over PoE. The Intelligent Power Monitoring IPM power-save feature applies when the unit is powered by an 802.3af PoE source.

Adaptive Radio Management (ARM) technology automatically assigns channel and power settings, provides airtime fairness, and ensures that APs stay clear of all sources of RF interference to deliver reliable, high-performance WLANs. Features a Spectrum analyzer for identifying sources of RF interference.

The 300 Series also has an integrated Bluetooth Aruba Beacon that simplifies the remote management of a network of largescale battery-powered Aruba Beacons while also providing advanced location and indoor wayfinding, and proximity-based push notification capabilities. It enables businesses to leverage ARUBA 300 Series APs Entry-level 802.11ac Wave 2 Access Points mobility context to develop applications that will deliver an enhanced user experience and increase the value of the wireless network for organizations.

Lowry will be including an FIBOX IP67/NEMA 4 Rated 12x10x6 inch polycarbonate enclosure with flang mount brackets enabling the AP to be enclosed in the case to mounted to walls or panel fixtures.

AP-305 Features

- Dual Radio 802.11ac Access Point with Multi-User MIMO supports up to 1,300Mbps in the 5GHz band (with 3SS/VHT80 clients) and up to 400Mbps in the 2.4GHz band (with 2SS/VHT40 clients).
- Supports IEEE 802.11a, IEEE 802.11ac, IEEE 802.11b, IEEE 802.11g, IEEE 802.11n networking protocols.
- Supported frequency bands (country-specific restrictions apply): 2.400 to 2.4835 GHz, 5.150 to 5.250 GHz, 5.250 to 5.350 GHz, 5.470 to 5.725 GHz, 5.725 to 5.850 GHz
- RJ-45 port and (1) USB 2.0 Type A for direct communication with a host computer.

- Built-in Bluetooth Low-Energy (BLE) radio enables location-based services with BLE-enabled mobile devices receiving signals from multiple Aruba Beacons at the same time.
- Advanced Cellular Coexistence (ACC) Minimizes interference from 3G/4G cellular networks, distributed antenna systems and commercial small cell/femtocell equipment.
- Adaptive Radio Management (ARM) technology automatically assigns channel and power settings, provides airtime fairness, and ensures that APs stay clear of all sources of RF interference to deliver reliable, high- performance WLANs.
- Intelligent app visibility and control provided by AppRF technology, leveraging deep packet inspection to classify and block, prioritize or limit bandwidth for over 2,500 enterprise apps or groups of apps.
- Configurable by both serial and IP connection.

Security

- Integrated wireless intrusion protection offers threat protection, mitigation and eliminates the need for separate RF sensors and security appliances.
- IP reputation and security services identify, classify, and block malicious files, URLs and IPs, providing comprehensive protection against advanced online threats.
- Integrated Trusted Platform Module (TPM) for secure storage of credentials and keys.
- TAA Compliant manufactured in the United States
- Use of Trusted Platform Module (TPM) for secure storage of credentials and keys as well as secure boot

Environmental

- Operating Temperature range: 0° C to +50° C (+32° F to +122° F), Storage and transportation temperature range: -40° C to +70° C (-40° F to +158° F)
- Humidity: 5% to 95% non-condensing

Power

- Supports direct 12V DC power
- Power over Ethernet (POE): 802.3af/802.3at compliant source
- Intelligent Power Monitoring (IPM) enables the AP to continuously monitor and report its actual power consumption and optionally make autonomous decisions to disable certain capabilities.

Certifications

- Wi-Fi Alliance (WFA) certified 802.11a/b/g/n/ac
- CB Scheme Safety, cTUVus
- UL2043 plenum rating
- Bluetooth SIG interoperability certification

Regulatory

- FCC/Industry of Canada
- CE Marked
- R&TTE Directive 1995/5/EC
- Low Voltage Directive 72/23/EEC
- EN 300 328, EN 301 489, EN 301 893
- UL/IEC/EN 60950
- EN 60601-1-1, EN60601-1-2

BOM:

CLIN / SLIN	Products / Services	Model / Part Number	Description	Quantity
x009AA	Radio Frequency Access Point (Indoor Environment)	JX938A	Aruba AP-305 Wireless Access Point, 802.11ac, 3 Year Warranty	1
		JW047A	Aruba AP Mount Kit, Contains One Flat-Surface Wall/Ceiling Mount	1
		AR12106CHSSLT	Plastic Enclosure, Junction Box, Polycarbonate, 254 mm x 305 mm x 152 mm, IP66	1
		ABP1210	Steel Back Panel, Enclosure Accessory	1

4.5.2 CLIN x009AB Radio Frequency Access Point (NEMA)



Lowry is offering the Aruba AP-374 for the indoor/outdoor access point. Weatherproof and temperature hardened, the ruggedized IP66/67 rated Aruba 370 Series Access Points deliver IEEE 802.11ac Wave 2 specifically designed for outdoor and environmentally challenging locations. The Aruba 370 high-performance and high-power series deliver increased capacity and range. It delivers 4x4:4SS MU-MIMO capability, and the Aruba advanced ClientMatch and an integrated Bluetooth beacon to enable Aruba location services.

Purpose-built to survive in the harshest outdoor environments, the 370 Series APs can withstand exposure to extreme high and low temperatures, persistent moisture and precipitation, and are fully sealed to keep out airborne contaminants. All electrical interfaces include industrial strength surge protection. The Aruba 370 Series also has an integrated Bluetooth Aruba Beacon that simplifies the remote management of a network of large-scale battery-powered Aruba beacons while also providing advanced location, wayfinding, push notification and asset tracking capabilities.

With a maximum concurrent data rate of 1,733 Mbps in the 5 GHz band and 300 Mbps in the 2.4 GHz band (for an aggregate peak data rate of 2.0 GBPS), the Aruba 370 Series Access Points can quickly add required capacities to your existing or new wireless networks. The Aruba AP-374 supports direct DC power and Power over Ethernet (PoE). When both power sources are available, DC power takes priority over PoE. The Intelligent Power Monitoring IPM power-save feature applies when the unit is powered by an 802.3af PoE source.

Features

- Dual Radio 802.11ac access point with Multi-User MIMO Supports up to 1,733 Mbps in the 5 GHz band and up to 300 Mbps in the 2.4 GHz band.
- Built-in Bluetooth Low-Energy (BLE) radio Enables location-based services with BLE-enabled mobile devices receiving signals from multiple Aruba Beacons at the same time.
- (1) SFP Port, (1) RJ-45 port and (1) micro USB for direct communication with a host computer.
- Supports IEEE 802.11a, IEEE 802.11ac, IEEE 802.11b, IEEE 802.11g, IEEE 802.11n networking protocols.
- Supported frequency bands (country-specific restrictions apply): 2.400 to 2.4835 GHz, 5.150 to 5.250 GHz, 5.250 to 5.350 GHz, 5.470 to 5.725 GHz, 5.725 to 5.850 GHz

- Advanced Cellular Coexistence (ACC) Minimizes interference from 3G/4G cellular networks, distributed antenna systems, and commercial small cell/femtocell equipment.
- Industrial design for harsh indoor and outdoor environments with sealed connector interfaces to lock out dust and moisture
- Spectrum analysis capable of part-time or dedicated air monitoring, the spectrum analyzer remotely scans the 2.4-GHz and 5-GHz radio bands to identify sources of RF interference.
- Integrated AirMatch RF technology manages the 2.4-GHz and 5-GHz radio bands and actively optimizes the RF environment including channel width, channel selection and transmit power.
- AppRF technology leverages deep packet inspection to classify and block, prioritize or limit bandwidth for thousands of applications in a range of categories.

Power

- Maximum power consumption from the AP: 23W
- Power over Ethernet (PoE+): 802.3at-compliant
- AC Power: 100-240 Volt 50/60Hz AC

Security

- Integrated wireless intrusion protection offers threat protection and mitigation and eliminates the need for separate RF sensors and security appliances.
- IP reputation and security services identify, classify, and block malicious files, URL and IPs, providing comprehensive protection against advanced online threats.
- Encrypted IPsec VPN tunnels securely connect remote users to corporate network resources.
- TAA Compliant manufactured in the United States
- Use of Trusted Platform Module (TPM) for secure storage of credentials and keys as well as secure boot

Certifications

- Wi-Fi Alliance certified 802.11a/b/g/n
- CB Scheme Safety, cTUVus
- UL2043 plenum rating
- Wi-Fi CERTIFIEDTM ac (with wave 2 features)

Regulatory

- FCC/ISED
- CE Marked
- RED Directive 2014/53/EU
- EMC Directive 2014/30/EU
- Low Voltage Directive 2014/35/EU
- UL/IEC/EN 60950
- EN 60601-1-1, EN60601-1-2

Environmental

- Operating temperature: -40° C to +60° C (-40° F to +140° F) Humidity: 5% to 95% non-condensing
- Storage and transportation temperature: -40° C to +70° C (-40° F to +158° F)
- Operating Altitude: 3,000 m
- Water and Dust IP66/67 rating
- Salt Tolerance tested to ASTM B117-07A Salt Spray 200hrs
- Wind Survival: Up to 165 Mph
- Shock and Vibration ETSI 300-19-2-4

BOM:

CLIN / SLIN	Products / Services	Model / Part Number	Description	Quantity
x009AB	Radio Frequency Access Point (NEMA)	JZ168A	Aruba AP-374 Wireless Access Point, 802.11ac, x3:3, Dual Radio, Antenna Connectors, 3 Year Warranty	1
		JW053A	Aruba 270 Series Outdoor AP Short Mount Kit. Pole/Wall Mount for AP-270. Positions AP 75 mm from Vertical	1

4.5.3 CLIN x009AC Radio Frequency Access Point (Office Environment)



Lowry is offering Aruba’s AP-325 for the Office Environment RF Access Point. Multifunctional Aruba 320 Series Access Points provide the best IEEE 802.11ac Wi-Fi connectivity and user experience. Featuring Aruba enhanced ClientMatch and Aruba Beacon technologies, the 320 series enables the highest capacity, performance, and efficiency in extremely high-density environments. These Wave 2 access points deliver multi-user MIMO (MU-MIMO) aware ClientMatch to boost network efficiency and a

second 1GigE port provides network and power redundancy to enhance network reliability while also boosting uplink performance with link aggregation.

With a maximum concurrent data rate of 1,733 Mbps in the 5 GHz band and 800 Mbps in the 2.4 GHz band (aggregated data rate of 2.5 Gbps), 320 series APs deliver best-in-class next-generation 802.11ac Wi-Fi infrastructure for the highest density environments.

The high performance and high density 802.11ac 320 series support multi-user MIMO (MU-MIMO) and 4 spatial streams (4SS). It provides simultaneous multicast data transmission to multiple devices, maximizing data throughput and improving network efficiency. Eight integrated down tilt omnidirectional built-in antennas are optimized for horizontal ceiling-mounted orientation of the AP. The Aruba AP-325 supports direct DC power and Power over Ethernet (PoE). When both power sources are available, DC power takes priority over PoE. The Intelligent Power Monitoring IPM power-save feature applies when the unit is powered by an 802.3af PoE source.

The 320 series includes the patent-pending enhanced ClientMatch technology that extends the client steering technology with MU-MIMO client awareness. It automatically identifies MU-MIMO capable mobile devices and steers those devices to the closest MU-MIMO capable Aruba access point. By grouping MU-MIMO capable mobile devices together, the network starts taking advantage of the simultaneous transmission to these devices, increasing its overall capacity. These dynamic roaming policies that are based on device types, help customers achieve the best WLAN performance in a mixed device environment during the technology transition period.

The 320 series has an integrated Bluetooth Aruba Beacon that simplifies the remote management of a network of large-scale battery-powered Aruba beacons while also providing advanced location and indoor way finding, and proximity-based push notification capabilities. It enables businesses to leverage mobility context to develop applications that will deliver an enhanced user experience and increase the value of the wireless network for organizations.

Features

- Dual Radio 802.11ac access point with Multi-User MIMO Supports up to 1,733 Mbps in the 5 GHz band and up to 300 Mbps in the 2.4 GHz band.
- Built-in Bluetooth Low-Energy (BLE) radio Enables location-based services with BLE-enabled mobile devices receiving signals from multiple Aruba Beacons at the same time.
- (2) ethernet ports (RJ-45) and (1) USB 2.0 for direct communication with a host computer.
- Supports IEEE 802.11a, IEEE 802.11ac, IEEE 802.11b, IEEE 802.11g, IEEE 802.11n networking protocols.
- Supported frequency bands (country-specific restrictions apply): 2.400 to 2.4835 GHz, 5.150 to 5.250 GHz, 5.250 to 5.350 GHz, 5.470 to 5.725 GHz, 5.725 to 5.850 GHz
- Advanced Cellular Coexistence (ACC) Minimizes interference from 3G/4G cellular networks, distributed antenna systems, and commercial small cell/femtocell equipment.
- Industrial design for harsh indoor and outdoor environments with sealed connector interfaces to lock out dust and moisture

- Spectrum analysis capable of part-time or dedicated air monitoring, the spectrum analyzer remotely scans the 2.4-GHz and 5-GHz radio bands to identify sources of RF interference.
- Integrated AirMatch RF technology manages the 2.4-GHz and 5-GHz radio bands and actively optimizes the RF environment including channel width, channel selection and transmit power.
- AppRF technology leverages deep packet inspection to classify and block, prioritize or limit bandwidth for thousands of applications in a range of categories.

Power

- Maximum power consumption from the AP: 20W
- Power over Ethernet (PoE+): 802.3af/802.3at-compliant
- Direct DC power source 12 Vdc nominal

Security

- Integrated wireless intrusion protection offers threat protection and mitigation and eliminates the need for separate RF sensors and security appliances.
- IP reputation and security services identify, classify, and block malicious files, URL and IPs, providing comprehensive protection against advanced online threats.
- Encrypted IPsec VPN tunnels securely connect remote users to corporate network resources.
- TAA Compliant manufactured in the United States
- Use of Trusted Platform Module (TPM) for secure storage of credentials and keys as well as secure boot

Certifications

- Wi-Fi Alliance (WFA) certified 802.11a/b/g/n/ac
- CB Scheme Safety, cTUVus
- UL2043 plenum rating
- Bluetooth SIG interoperability certification

Regulatory

- FCC/Industry of Canada
- CE Marked
- R&TTE Directive 1995/5/EC
- Low Voltage Directive 72/23/EEC
- EN 300 328, EN 301 489, EN 301 893
- UL/IEC/EN 60950
- EN 60601-1-1, EN60601-1-2
-

Environmental

- Operating temperature: 0° C to +50° C (+32° F to +122° F)

- Storage and transportation temperature: -40° C to +70° C (-40° F to +158° F)
- Humidity: 5% to 95% non-condensing
- Operating Altitude: 3,000M

BOM:

CLIN / SLIN	Products / Services	Model / Part Number	Description	Quantity
x009AC	Radio Frequency Access Point (Office Environment)	JW187A	Aruba AP-325 Wireless Access Point, 802.11n/ac, 3x3:3, Dual Radio, Integrated Antennas, 3 Year Warranty	1
		JW047A	Aruba AP Mount Kit, Contains One Flat-Surface Wall/Ceiling Mount	1

4.5.4 CLIN x009AD Radio Frequency Gateway



Lowry is offering the Aruba 7010 Mobility Controller for the RF Gateway. The Aruba Mobility Controller serves as the centralized control point for all network and user activity and is designed to address a wide range of wireless and wired network mobility, security, policy management, and remote access requirements for networks of any size. Unlike other solutions, Aruba WLAN systems are purpose-built and completely self-contained, and do not require ancillary security appliances or cryptology overlays.

Mobility Controllers feature programmable network processors and encryption engines that are optimized for 802.11a/b/g/n/ac data, voice, and video networks, providing high throughput, massive scalability, and advanced security. Controllers are typically installed in a secure data center near the application, servers and voice systems, or in the core network of a building. Controllers are compactly packaged, offer a range of high-availability options, and feature very low energy consumption to reduce ongoing operating expenses and HVAC loading. For scalability and redundancy, Controllers can be logically connected in a hierarchy.

The FIPS 140-2 Level 2 compliant 7010 controller supports up to 32 access points, 16 ethernet ports and provides configuration, management, encryption, and application visibility to ensure the reliable

delivery of network services. Two (2) USB 2.0 ports, two (2) SFP ethernet ports, one (1) RS-232 serial port and one (1) mini USB serial port allows for directly interfacing with PCs, workstations, barcode scanners, and APs.

Capable of handling up to 2,000 users, the 7000 series performs stateful firewall policy enforcement at up to 1 Gbps. Secure IP tunnels protect branch traffic across the public and private transport network to the cloud and headquarters. Local bridging can be performed, depending on end-user applications or IT traffic forwarding requirements.

The 7000 series also support Aruba's mobility firewall with AppRF technology, which continuously evaluates app usage and performance and makes configuration changes in real-time to ensure optimal bandwidth, priority and network paths in branch offices. A real-time dashboard makes it easy to identify and correct quality-of-service tags, load-balance specific apps across APs, adjust RF management and roaming parameters for latency-sensitive apps, and apply bandwidth contracts per app or for a group of apps.

Provided with an IEEE 802.3/Ethernet interface card with a 10BaseT connector, implement TCP/IP addressing, and provide Simple Network Management Protocol (SNMP), and Management Information Base (MIB) I and MIB II reporting.

The 7000 series supports other enterprise-critical capabilities like authentication, encryption, VPN connections, IPv4 and IPv6 services, the Policy Enforcement Firewall, Adaptive Radio Management and ClientMatch technologies, and RFProtect spectrum analysis and wireless intrusion protection. With zero touch provisioning the 7000 Series can be factory-shipped and deployed onsite with cloud-based Aruba Activate. For network-specific requirements, settings can be applied.

Features

- Ethernet, Fast Ethernet, Gigabit Ethernet, PoE, PoE+ supported network protocols
- Adaptive IEEE 802.11a/b/g/n/ac WLAN support.
- IPSec / SSL VPN capabilities supporting NSA Suite-B algorithms, which are approved for use in transmission of classified information.
- Easily deployed as an overlay without any change in the wired network.
- Works in conjunction with ArubaOS and Aruba Access Points for many different WLAN deployment modes, including campus, mesh, point-to-point and remote.
- Role Based Access control with supporting security policies that can be applied to users, mobile devices, applications, and location.
- Context awareness of mobile devices connected to the network.
- FIPS-140-2 Level 2 Validated, Unified Capabilities Approved Products List (UC-APL) certified, Common Criteria EAL-2+ and EAL-4 Validated.
- Meets DoD Directive 8100.2, 8500.1 and DoD Directive 8420.1 on WLAN solutions.

Power

- Maximum power consumption: 190W

- Power over Ethernet (PoE+): 802.3af/802.3at-compliant
- Direct DC power source 12 Vdc nominal

Security

- Support for IPSec/SSL VPNs, Aruba remote APs (RAPs) and Aruba VIA VPN for establishing encrypted sessions without any additional hardware required.
- Firewall enforcement of consistent user, device, and application experience across WLAN, LAN, and WAN.
- Support for WPA3 brings stronger encryption and authentication methods, while Enhanced Open brings automatic security to open networks.
- TAA Compliant manufactured in the United States
- Use of Trusted Platform Module (TPM) for secure storage of credentials and keys as well as secure boot

Certifications & Regulatory

- UL 60950-1 Second Edition
- CAN/CSA-C22.2 No. 60950-1 Second Edition EN 60950-1 Second Edition
- EN 60950:2005
- IEC 60950-1 Second Edition
- NOM (obtained by partners and distributors)
- FCC Part 15 Class B CE AS/NZS CISPR22 Class B
- CISPR22 Class A (7010, 7024, 7030), Class B (7005)
- EN55022 Class A (7010, 7024, 7030), Class B (7005)
- ICES-003 Class A (7010, 7024, 7030), Class B (7005)
- VCCI Class A (7010, 7024, 7030), Class B (7005)
- EN61000-3-2, EN61000-3-3, EN 61000-4-2, EN 61000-4-3, EN 61000-4-4, EN 61000-4-5, EN 61000-4-6, EN 61000-4-8, EN 61000-4-11, AS/NZS 3548
- KN22 Class B KCC
- CNS13438 Class B EN55024/CISPR24 KN24
- Industry Canada Class B
- CE mark, cTUVus, CB, C-tick, Anatel, NOM, MIC

Environmental

- Operating temperature: 0° C to 40° C, Storage temperature: -40° C to 70° C
- Humidity: 10% to 95% non-condensing
- Operating Altitude up to 10,000ft

BOM:

CLIN / SLIN	Products / Services	Model / Part Number	Description	Quantity
x009AD	Radio Frequency Gateway	JW703A	Aruba 7010, FIPS, 16p 150W PoE+ 10/100/1000BASE-T 1GBASE-X SFP 32 AP and 2K Clients Controller, 3 Year Warranty	1
		JW124A	Power Supply & Cord	1
		JW473AAE	Aruba LIC-PEF Controller Policy Enforcement Firewall Per AP License E-LTU	1
		H2XX4E	Aruba 3Y FC 24x7 License PEF Cn SVC [for JW473AAE]	1
		JW474AAE	Aruba LIC-RFP Controller RFProtect Per AP License E-LTU	1
		H2XV4E	Aruba 3Y FC 24x7 AP RFProtect E-LTU SVC [for JW474AAE]	1
		JW472AAE	Aruba LIC-AP Controller per AP Capacity License E-LTU	1

CLIN / SLIN	Products / Services	Model / Part Number	Description	Quantity
		H2YU4E	Aruba 3Y FC 24x7 Ctrl per AP Cap ELTU SVC [for JW472AAE]	1

4.6 Small Arms Room Transit Case Configuration (Kit)

Lowry is offering a solution from Williams Software Associates for the Small Arms Room Transit Case. Williams Software Associates is the author of the SmarTrack Small Arms Room software and provides a kit with the following components:

- a. Small Arms Room Kit Transit Case with custom foam inserts
- b. Getac B300 Ultra Rugged Notebook, with Power Supply
- c. CyberPower CP600 LCD 600VA Uninterrupted Power Supply (UPS)
- d. Microsoft USB Wired Mouse, with Integrated USB Cable
- e. Topaz Systems T-S460 SigLite 1x5 USB Signature Pad, with USB Cable
- f. TP-Link 7-Port USB Hub, with Power Supply and USB Cable
- g. Portable HP M404dn LaserJet Pro Printer, with Power Supply
- h. Printer, USB Cable
- i. HP 58A LaserJet Toner Cartridge, Black
- j. Honeywell Granit 1920i, DPMS, as specified in PWS paragraph 4.2.4, "Imager for PC Input – IUID Direct Part Marking"
- k. Scanner, USB Cable, coiled, 5V Host Power
- l. Scanner, Holder: Desktop/Wall Mount (Includes Mounting Hardware)
- m. Elo 1502L 15-inch widescreen LED touch screen display that supports signature capture, with Power Supply, Mini-VGA to VGA Cable, HDMI Cable, USB Cable, Audio Cable
- n. SCR3310v2.0 USB Smartcard Reader, with Integrated USB Cable
- o. My Passport external back up hard drive, with USB Interface Cable
- p. Packing Lists
- q. Installation Manual & Hardware Manuals for Individual Products

The Getac B300 ultra rugged notebook is included in the Small Arms Room Kit Transit Case and has the below features:

- a. 13.3" Sunlight Readable Display with Touchscreen
- b. Ultra-Rugged, IP65 certified
- c. 500GB HDD
- d. Intel Core i7-8550U Processor 1.8GHZ
- e. Microsoft Windows 10 Pro x64 with 8GB RAM
- f. With DVD Super-Multi and Smartcard Reader
- g. TPM 2.0

BOM:

CLIN / SLIN	Products / Services	Model / Part Number	Description	Quantity
x011AA	Transit Case Configuration, Small Arms Room Kit	BH33L5DABDX8	B300 G7 TAA HDD - Intel Core i7-8550U Processor 1.8GHz, 13.3" With DVD Super-Multi + Smart Card Reader, Microsoft Windows 10 Pro x64 with 8GB RAM + TAA, 500GB HDD, Sunlight Readable (LCD + Touchscreen), US KBD+US Power cord, Membrane Backlit KBD, WiFi + BT, HDMI, PCMCIA, Express Card 54, SD Card Reader, TPM 2.0, Low Temp - 29°C, IP65, 5 Year B2B Warranty	1
		M45549	CyberPower CP600 LCD 600VA Uninterrupted Power Supply (UPS)	1
		MST-4YH-00005	Microsoft USB Wired Mouse, with Integrated USB Cable	1
		T-S460-HSB-R	Topaz Systems T-S460 SigLite 1x5 USB Signature Pad, with USB Cable	1



CLIN / SLIN	Products / Services	Model / Part Number	Description	Quantity
		UH700	TP-Link 7-Port USB Hub, with Power Supply and USB Cable	1
		W1A53A#201	HP M404dn LaserJet Pro Printer, with Power Supply	1
		65030779982	USB Cable, Printer, 6 Ft. A-B	1
		CF258A	HP 58A Black Original LaserJet Toner Cartridge	1
		1920IDPM-3USB-G	Granit 1920i Scanner, DPM, 3 Year Warranty	1
		CBL-500-300-C00	Cable: USB, Black, Type A, 3M (9.8'), coiled, 5V Host Power	1
		HOLDER-010-U	Holder: Desktop/Wall Mount (Includes Mounting Hardware)	1



CLIN / SLIN	Products / Services	Model / Part Number	Description	Quantity
		E045538	Elo 1502L 15-Inch Widescreen LED Touch Screen Display, with Power Supply, Mini-VGA to VGA Cable, HDMI Cable, USB Cable, Audio Cable	1
		905331	SCR3310 v2.0 USB SmartCard Reader, with Integrated USB Cable	1
		wdbynn0010-bbk-0b	Western Digital, 1TB My Passport, with USB Interface Cable	1
		WSASMART	Custom Small Arms Kit Shipping Case	1
		N/A	Packing Inventory List	1
		N/A	Installation Guide	1
		N/A	Manufacturer's User Guides	1

5. Software

5.1 Barcode Label and Form Design Software

Lowry is offering LABELVIEW Pro by TEKYLNX for the barcode label and form design software. LABELVIEW Pro is a powerful, easy-to-use barcode label design and printing application that can be used by anyone from beginners to advanced users. LABELVIEW is a sophisticated and intuitive barcode label design software. With the stability of LABELVIEW's updated software platform, you can be confident that your software will be easily installable on the latest Windows operating system and service pack releases, and dependable today and into the future.

Companies who use LABELVIEW are starting to incorporate variable information into their labels by connecting their design & print software to an Excel spreadsheet, access database, or external database using OLE or ODBC which streamlines the labeling process and increases efficiency. LABELVIEW's intuitive interface, coupled with simplified database connections and streamlined data entry, allows you to efficiently design and print labels. Users still print directly from the label design solution but might use advanced computing technology such as virtual machines.

LABELVIEW allows you to create labels quickly using forms & wizards, reducing the overall time spent from label design to print. The form designer gives you the ability to create custom forms including DD 1348-1 and DD 1387. The previewing feature helps to reduce errors by allowing you to perform a quality check by previewing the label prior to printing. Twenty-five languages are supported within its interface and has the capability to print virtually any language.

With 100+ barcodes symbologies & templates including Code 39, Code 128, CODABAR, Interleaved 2 of 5, GS1 Barcodes, Universal Product Code (UPC), Data Matrix ECC 200, and Portable Data File (PDF) 41, LABELVIEW Pro allows you to easily comply with industry standards.

LABELVIEW Pro Features:

- Graphic & native barcodes
- Print to multiple printers locally or over a network.
- TCP/IP network printing
- OLE and ODBC support
- Hidden (unprintable) objects
- Unicode font support
- Printer code converter
- Label password protection
- Add variable data fields

Minimum Memory Requirement: 2GB or more RAM, 4GB recommended

BOM:

CLIN / SLIN	Products / Services	Model / Part Number	Description	Quantity
SLIN 0013AA	Barcode Label Design and Printing Software	LV18PRO1	LABELVIEW 2018 Pro (Perpetual)	1
		SMALVSNG13Y	LABELVIEW 3 Year Warranty	1

5.2 Small Arms Room Management Software

Lowry is offering Williams Software Associates SmarTrack Digital Arms Room software for the Small Arms Rooms Management Software. SmarTrack DAR is compatible with all of equipment from the BOM of the "Transit Case Configuration Small Arms Room Kit".

SmarTrack Digital Arms Room; further recognized as SmarTrack DAR, is a digital arms room management solution that integrates both hardware and software elements. SmarTrack DAR has developed unique methods for conducting; issuing, receiving, inventory, and maintenance processes within any armory. The platform integrates directly with existing US Army standards such as IUID barcoding compliant with MIL-STD-130 and DODUID CAC. SmarTrack DAR promotes an environment of efficiency and oversight for Commanders and armory staff.

Developing protocols for a user and receiving personnel is a vital aspect of any inventory management systems success. SmarTrack DAR seamlessly conducts these processes. System users and receiving personnel are created in the application using existing DODUID CAC and pin processes. Digital signatures are gathered and stored; to be used as a record of all future transactions. The process mentioned above exists for all personnel whether a system user or a person who will be receiving items from the facility. After the initial account creation, system administrators will be able to assign user permissions to any person who will be conducting official business within the armory. These user permissions cover a variety of system access levels including but not limited to; allowing or disallowing issuing and/or receiving permissions and granting maintenance access. Creating all personnel in this manner creates previously unattainable accountability.

SmarTrack DAR using CAC and pin practices allows for enhanced handling of receiving personnel. System administrators can track mission-critical information such as personnel records and equipment assignments. Personnel records are robust and include; training records, weapons qualifications, and "Do Not Issue" options for ensuring safety and maintaining compliance. Assigning equipment to a specific person is another fundamental principle only offered through the SmarTrack DAR platform. By assigning specific equipment serial numbers to a person, the issuing process is more in line with

standards. Accomplished by referencing who each item is assigned to before check-out if someone requests an item that is not assigned to them an alert will be presented. These integrated alerting methods give armors amplified situational awareness.

In order to issue, receive, maintain, and inventory items with accuracy, techniques must be in place for the atomization of barcodes. Through the integration of DOD mandated IUID tags SmarTrack DAR has refined these methods. Barcoding practices transition across all items within a facility, to include; serialized assets, bulk equipment, and expendable assets. Asset serial numbers are linked directly to unique barcodes through streamlined methods. SmarTrack DAR works equally well with both DOD supplied IUID tags and unique barcodes produced and printed through the software. Barcoding increases the speed of all processes; however, it is important to note all processes are ultimately tied to items serial numbers and reconciled against the property book of record.

SmarTrack DAR system users spend a great deal of time issuing and receiving items, because of this creating an expedited yet accurate process is of utmost importance. When issuing and receiving items into a facility, system users and receiving personnel will sign into SmarTrack DAR to generate a digital signature verifying the transaction. After signing in, SmarTrack DAR will utilize barcodes in conjunction with property book reconciliation to allocate items properly. This reconciliation reassures an item isn't on an active hand receipt or assigned to another person. Upon the completion of any transaction, mandated forms such as the DA2062 are automatically generated and logged indefinitely. One additional feature upon user sign-out is automatically generating an overdue item alert/ report for all items checked out of the arms room, that have an expired return date. System users can reference all documents at any time. SmarTrack DAR automates the issuing and receiving process, enabling visibility and accountability of all assets.

Maintaining an accurate inventory is the most vital aspect of any asset management solution. SmarTrack DAR makes conducting inventories happen sensibly. Reconciling the property book of record provides system users with a rapid tool for determining what equipment is on hand and accountable. System users sign as the responsible party on an inventory with the use of CAC and pin. Additionally, SmarTrack DAR has unique mobility features, these enable inventorying processes to effortlessly take place at the home unit or deployed forward. All inventory records; whether online or offline, will receive an electronic log that will be saved indefinitely and can be accessed at any point in the future. The utilization of SmarTrack DAR allows inventories to be conducted in record time, while simultaneously maintaining a focus on accuracy.

When tracking a weapons maintenance two types of maintenance are of utmost importance; scheduled maintenance, meaning maintenance which must be done on a fixed time interval; and unscheduled maintenance, or maintenance that must be done as a result of a deficiency. SmarTrack DAR provides the capability to do both through intuitive processes designed for simplicity. The use of internal processes allows users the ability to access Army mandated technical manuals and regulations. The integrated manuals enable users to quickly reference mission-critical information. After maintenance has been conducted standard Army reports such as the DA 2407 are presented. The entire maintenance history of items is also available through robust reporting functions.

Not only will SmarTrack DAR enable users to streamline issuing, inventory, and maintenance processes, but it provides added peace of mind and accuracy. Additional benefits and capabilities of SmarTrack DAR are expansive. Some highlighted benefits are reporting capabilities, to enhance oversight throughout a

command; the automation of key control management, for added security; inspection cycle management, to increase soldier’s accountability and proficiency; automated weapons card development, for rapid issuing processes; and many more.

SmarTrack Digital Arms Room is a proven inventory management solution, designed to fit the unique needs of US Army armories. Everyday armory processes are no longer cumbersome and inconvenient; SmarTrack DAR takes all complication out of the existing processes while also increasing speed and reliability for facility staff. While the product outline is informative, SmarTrack DAR contains many more features not discussed. The solution provides personnel with the tools needed to create a highly efficient and extremely reliable facility.

Minimum Memory Requirements:

- Minimum Drive Size (SSD is Best): 500 GB
- Preferred Drive Size (SSD is Best): 1 TB SSD for a battalion sized operation & 500 GB SSD for a company sizes operation
- Memory: 8 GB Laptops & 32 GB Servers

BOM:

CLIN / SLIN	Products / Services	Model / Part Number	Description	Quantity
SLIN 0013AB	Small Arms Room Management Software	WSACORP1965	SMARTRACK Digital Arms Room Tracking System, 3 Year Warranty	1

6. Technical Engineering Services Section

This section contains procedures that provide the user with all necessary information required to order Technical Engineering Services (TES).

The below is a list of the Technical Engineering Services CLINs:

CLIN / SLIN	Description	Unit of Issue
X017AA	Project Manager	Hour
X017AB	Instructional Design and Development Specialist	Hour
X017AC	Senior Programmer	Hour
X017AD	Systems Analyst	Hour
X017AE	Software Systems Engineer	Hour
X017AF	Programmer/Analyst	Hour
X017AG	Junior Programmer	Hour
X017AH	Systems Engineer	Hour
X017AJ	Data Comm/Network Specialist	Hour
X017AK	RF Technical Radio Specialist	Hour
X017AM	Technical Training Specialist	Hour
X017AN	Technical Writer	Hour

Lowry will provide TES on-site at Government sites and at the Lowry's facility, as specified in the task order. TES shall include those services required for AIT-6 turnkey implementation, IUID implementation support, equipment integration, site analysis, installation, de-installation, relocation, problem-solving, user unique training, IPT support, conducting PCAs/FCAs, software development, communications, interfaces to other Government systems, equipment and systems engineering services, system design, and systems integration, to include middleware integration to enterprise systems. Any cables or adapters not listed in this contract, middleware, or other items and materials required for installation of contractor-provided AIT-6 components may be ordered through the contract in accordance with PWS paragraph 10.1.2, "Incidental Materials."

6.1 Proposal Request for TES

Upon receipt of a request for proposal (RFP) for TES, which includes a description of the tasks, Lowry shall submit a price proposal or 'No-bid' response as soon as possible, but not more than fifteen workdays after receipt of the request, unless so agreed to by the ordering contracting officer. Lowry's proposal shall contain enough detail to enable the Government to determine the acceptability of the proposal, and shall include, at a minimum:

- a. A brief description of the technical approach which demonstrates the contractor's understanding of the task(s);
- b. Proposed timeline schedule;
- c. Proposed labor categories from the master SLIN Listing and the number of hours for each category;
- d. Proposed incidental materials, including a price and description of each item;
- e. Proposed price for travel, with a breakout of airfare(s), per diem, rental car(s), and any other travel-related expenses;
- f. For turnkey proposals only:
 - i. Proposed AIT hardware and software CLINs/SLINs required for the proposed solution, and
 - ii. Any required Government-furnished AIT and Active RFID hardware and software and the associated logistical requirements (e.g., locations and dates for the Government to furnish the items).

The Government will negotiate a total firm-fixed price (FFP) for the effort, excluding travel and incidental materials. This FFP will include all labor and per diem required to complete the effort and will be included in the task order according to the labor categories listed under SLIN x017xx. If applicable, the Government will negotiate a separate FFP price for the incidental materials, which will be included in the task order under SLIN x021AA. The incidental materials will be consistent with PWS paragraph 10.1.2, "Incidental Materials."

The using activity representative, as stated on each task order, shall perform inspection and acceptance of all the items contained on the order.

PoP for TES cannot extend beyond 12 months from contract expiration.

6.2 Incidental Materials

Incidental materials shall only include those items or materials necessary to complete the installation service ordered in accordance with PWS paragraph 10.1.1, "Proposal Request for TES." The price for the items/materials shall be negotiated on a FFP basis for each task order, if required. The total negotiated price for incidental materials for each task order shall not exceed \$100,000.

6.3 Travel

The contractor may be required to travel in performance of task orders issued under the AIT-6 contract. Allowable travel and per diem costs are governed by FAR Part 31 and are reimbursable by the ordering agency. Travel in performance of a task order will only be reimbursable to the extent authorized by the ordering agency. All costs associated with travel and per diem will not include any type of fee.

6.4 TES Trip Report

Lowry shall submit a TES trip report to the task order POC no later than five workdays after the completion of each trip made for TES. The trip report shall be in Lowry's format and shall contain, at a minimum:

- a. Report date;
- b. Customer name, address, POC, e-mail address, and telephone number;
- c. Project name;
- d. Time arrived; time departed;
- e. Any recommended or provided incidental material description;
- f. Contractor's summary of work completed; and
- g. Contractor POC name and signature.

6.5 TES Response Time

Lowry shall provide TES within the time specified in the task order for specific technical services. The on-site locations and objectives of the TES to be provided shall be stated in the task order.

6.6 Software Development Services

Software development services (SDS) shall be limited to development incidental to the AIT-6 related mission that utilizes equipment acquired under this contract. The AIT-6 SDS shall be limited to the development work required to implement, modify, interface, and integrate AIT-6 application(s) to an existing Government application(s) and database(s). Services include new software development, which may include translation of existing Government code that has been determined necessary to ensure operation of the system.

7. Training

Lowry Solutions shall provide training associated with Technical Engineering Services (TES) that is customized to each task order solution being delivered. The training can be conducted in a group or one-on-one setting and will be based on the task order's work statement.

8. Warranty Support

8.1 Overview

Lowry shall provide a minimum three-year warranty (including the initial and separately orderable HHT batteries, but excluding cables and ancillary items, such as power supplies, docking stations, battery charger, etc.) and an optional two-year warranty (excluding batteries and ancillary items) where specified in this PWS, including all parts, labor, and transportation costs for all AIT-6 components provided under this contract. All products delivered under this contract shall have a permanent label affixed to each serialized item (excluding batteries and cables) that, at a minimum, identifies: the contractor company name, telephone number and website URL. Lowry Solutions shall provide a minimum of a three-year warranty for all software products. The three-year warranty will be included in the purchase price of the component, and not priced separately.

Lowry will maintain an internet site accessible for Government users. The website will provide a hotlink to email Lowry's service request group: servicerequest@lowrysolutions.com. Information about a product's warranty support will also be available through Lowry's customer support number, 1-800-733-0010.

Customer's shall provide Lowry Solutions' service coordinator with the following information:

- Agency name
- Service address
- Contact name, phone number, and email address
- Model of unit requiring service
- Serial number of the unit requiring service
- Description of the problem

Lowry shall repair or replace all failed AIT-6 components covered under warranty in this contract in accordance with the procedures outlined below. Lowry shall immediately notify the ordering contracting officer and order POC about equipment requiring repair or replacement due to apparent user abuse, negligence, or missing significant parts, such as circuit cards or boards.

The warranty shall not apply if damage to the equipment is caused by fault or negligence of the Government. During the equipment warranty period, the contractor shall implement changes to correct equipment malfunctions in accordance with best commercial practices. The implementation shall be in accordance with a mutually agreed-upon schedule. These changes shall be made at no additional cost to the Government. The warranty shall fully protect the Government against equipment malfunctions due to material defects, workmanship, or intrinsic operating problems.

The warranty period for items ordered by delivery order shall begin upon Government acceptance of the equipment. In the event the contractor is authorized to use a Certificate of Conformance, the warranty period for items ordered by a delivery order shall begin on the date of shipment. For GPC orders only, the warranty begins on the day the order is accepted by the Government. The warranty shall include mail-in procedures and on-call procedures, as specified below.

8.2 Warranty Mail-In Procedures

Lowry Solutions shall bear all shipping costs, both from and back to Government sites (CONUS and OCONUS). Lowry Solutions shall be responsible for the equipment from the time of receipt until safe

return to the Government. The Government will provide the contractor with any unusual transportation instructions for return shipment after repair. When the user does not require the same serial number equipment, Lowry Solutions shall ship a replacement item no later than 24 hours after notification of failed AIT-6 components.

If the user requires the same serial number equipment, Lowry Solutions shall restore all malfunctioning equipment covered under warranty to a fully operational condition and ship the equipment back to the user no later than ten workdays after receipt of the failed equipment (CONUS and OCONUS). In the event a same serial number component requested by the user cannot be repaired, Lowry Solutions shall notify the Government user no later than three workdays after receipt of the component at the Lowry Solutions' facility. AIT-6 returned warranty items marked with an IUID that require change of custody must be coordinated with the customer and reported to the DoD IUID Registry by the contractor. The Government user will provide the contractor with disposition instructions for un-repairable AIT-6 components.

8.3 Warranty Replacement Parts

The requirement for contractor warranty service is that only new parts, or parts warranted as new by the OEM, shall be used for repairs of failed Government AIT-6 components. Additionally, all replacement parts shall be equal to or better than the replaced parts in terms of quality and performance. The warranty for all replacement items installed during the initial warranty period shall be equal to the remaining warranty period for the original item, or 90 calendar days, whichever is greater. Failed parts replaced by the contractor shall become the property of the contractor. However, the Government reserves the right to purchase unserviceable parts containing sensitive or classified material, as required by statute or regulation.

8.4 Warranty On-Call Procedures

Lowry Solutions shall provide on-call warranty service for AIT-6 IUID marking equipment in CONUS only. The requirement for CONUS locations is that Lowry Solutions shall provide on-call repair no later than three workdays after notification. Lowry Solutions shall provide on-call warranty service outside the official hours of operation when required by the using activity. When warranty service outside the official hours of operation is ordered in CONUS locations, Lowry Solutions shall replace or return the equipment to a fully operational status no later than five calendar days from the time Lowry Solutions is notified of the malfunction. Lowry Solutions shall provide on-call warranty service support to repair the item on-site.

8.5 Software Warranty

Lowry Solutions shall provide a minimum of a three-year warranty for all software products and shall include all fixes, updates and changes necessary to maintain the software in an operational state.

9. Preventative Maintenance

The following CLINs have preventative maintenance procedures:

- CLIN x005AA: Portable/Wearable Barcode Label Printer
- CLIN x005BA: Stationary Barcode Label Printer
- CLIN x005BB: Stationary Barcode Label Printer, with Installed Take-up Reel
- CLIN x007AA: Laser Marking Equipment

9.1 CLIN x005AA: Portable/Wearable Barcode Label Printer

Proper cleaning is critical to maintain peak performance of the printer. The following table taken from the RL4e user guide outlines the recommended maintenance schedule for the various printer parts.

Area	Method (Std. Models)	Interval
Printhead	Cleaning Card or Cotton Swab w/Isopropyl Alcohol	After 3-5 rolls of media
Platen Roller	Cotton Swab w/Isopropyl Alcohol	After 3-5 rolls of media
Peel-Off Roller	Cleaning Pen	After 3-5 rolls of media
Lid Roller	Cotton Swab w/Isopropyl Alcohol	After 3-5 rolls of media
Media Sensor	Compressed Air	Monthly
Interior	Compressed Air	As Needed

9.2 CLIN x005BA: Stationary Barcode Label Printer

Use the information in this section to understand how to clean parts of Stationary Bar Code Label Printer.

Taken from Intermec by Honeywell Model PD43 User's Manual.

Follow these guidelines for cleaning the printer:

- Always remove the power cord before cleaning.
- Never spray the printer with water. Protect it from water when cleaning the premises.
- Never use any sharp tools for removing stuck labels. The printhead and rollers are delicate.

Clean the Printhead

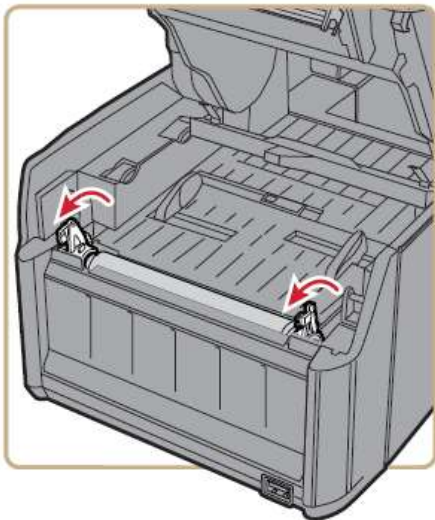
Cleaning the printhead on a regular basis is important for the life of the printhead and for the print quality. You should clean the printhead each time you replace the media. Follow this procedure to clean the printhead using the cleaning card. If you need to clean additional residue from the platen roller or tear bar, use a cotton swab moistened with isopropyl alcohol.

1. Turn the printer off and disconnect the printer from power.
2. Open the printer and remove the media and ribbon (if installed).
3. Insert most of the cleaning card under the printhead, and then lower the printhead.
4. Pull out the cleaning card and raise the printhead.
5. Wait for approximately 30 seconds to allow the cleaning fluid to dissolve the residue.
6. Repeat Steps 3 through 5 if necessary.
7. If necessary, clean residue from the platen roller or tear bar with a cotton swab moistened with isopropyl alcohol.
8. Once the parts are dry, replace the media (and ribbon) in the printer.
9. Close the printer, reconnect power, and turn on the printer.

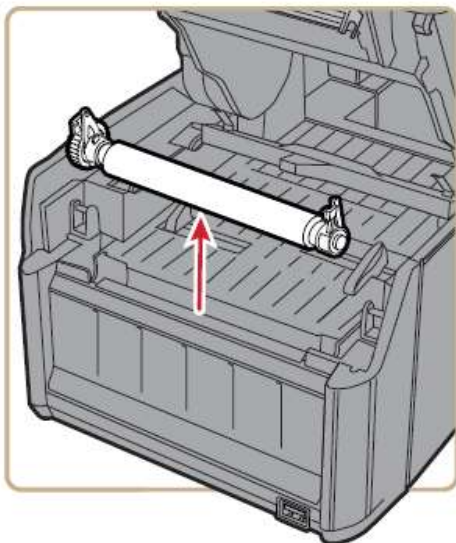
Clean the Platen Roller

Follow this procedure to remove, clean, and replace the platen roller as part of standard maintenance for the printer. Intermec recommends that you check the platen roller for debris and clean it each time you replace media.

1. Turn the printer off and disconnect the power cord.
2. Open the top of the printer.
3. Open the media compartment door.
4. Press the printhead release button and raise the printhead.
5. Remove the installed media.
6. Press the roller latches apart and tilt them up.



7. Pull the latches up to remove the platen roller from the printer.



8. Remove any adhesive residue from the roller with a cotton swab moistened with isopropyl alcohol.
9. Reverse Steps 6 and 7 to install the roller.
10. Press the latches into the printer until they snap into place.
11. Replace the media in the printer.
12. Press the print mechanism down to lock it in place.
13. Close the media door and printer lid.

Clean the Exterior of the Printer

Make sure to keep the exterior of the printer clean. Maintaining a clean exterior will reduce the risk of dust or foreign particles reaching the inside of the printer and affecting printer functionality.

Use a soft cloth, possibly moistened with water or a mild detergent, when cleaning the printer exterior.

Make sure to keep the surface surrounding the printer clean as well.

9.3 CLIN x005BB: Stationary Barcode Label Printer, with Installed Take-up Reel

Use the information in this section to understand how to clean parts of Stationary Bar Code Label Printer, with Installed Take-Up Reel.

Taken from Intermec by Honeywell Model PM43 User's Manual.

How to Clean the Printer

To properly maintain the printer, you should clean it regularly. You can clean these parts of the printer:

- The printhead
- The media guides
- The exterior of the printer

Follow these guidelines for cleaning the printer:

- Always remove the power cord before cleaning.
- Never spray the printer with water. Protect it from water when cleaning the premises.
- Never use any sharp tools for removing stuck labels. The printhead and rollers are delicate.

Clean the Printhead

Cleaning the printhead on a regular basis is important for the life of the printhead and for the print quality. You should clean the printhead each time you replace the media. Follow this procedure to clean the printhead using the cleaning card. If you need to clean additional residue from the platen roller or tear bar, use a cotton swab moistened with isopropyl alcohol.

Caution: Never use hard or sharp tools to peel away stuck labels or other material. The printhead is delicate and can easily be damaged.

1. Turn the printer off and disconnect the printer from power.

2. Open the media cover.
3. Remove the media and ribbon (if installed).
4. Insert most of the cleaning card under the printhead, and then lower the printhead.
5. Pull out the cleaning card and raise the printhead.
6. Wait for approximately 30 seconds to allow the cleaning fluid to dissolve the residue.
7. Repeat Steps 4 through 6 if necessary.
8. If necessary, clean residue from the platen roller or tear bar with a cotton swab moistened with isopropyl alcohol.
9. Once the parts are dry, replace the media (and ribbon) in the printer.
10. Close the media cover, reconnect power, and turn on the printer.

Clean the Media Guides

Both the upper and lower media guides are transparent to allow light to pass between the two parts of the label gap and label mark sensors.

It is important to keep these surfaces free of dust, stuck labels, and adhesive residue.

1. Turn the printer off and disconnect the printer from power.
2. Open the media cover.
3. Remove the media and ribbon (if installed).
4. Insert a cleaning card or a soft cloth soaked in isopropyl alcohol between the two media guides to clean them.
5. Wait for approximately 30 seconds to allow the cleaning fluid to dissolve the residue.
6. Once the parts are dry, replace the media (and ribbon) in the printer.
7. Close the media cover, reconnect power, and turn on the printer.

Clean the Exterior of the Printer

Make sure to keep the exterior of the printer clean. Maintaining a clean exterior will reduce the risk of dust or foreign particles reaching the inside of the printer and affecting printer functionality.

- Use a soft cloth, possibly moistened with water or a mild detergent, when cleaning the printer exterior.

Make sure to keep the surface surrounding the printer clean as well.

9.4 CLIN x007AA: Laser Marking Equipment

The single most important thing that you can do to keep your laser working as if it were new is to keep it clean! Five minutes once a day will keep the residue and debris from building up and causing problems.

Refer to "Section 8: Cleaning & Maintenance" of the Epilog Mini Laser System Manual for detailed cleaning instructions.



10.CLIN List and Price

CLIN	Description	Unit Price
Base CLINS: Years 1 - 3		
X001 Hand-Held Barcode Reader		
0001AA	Hand-Held Terminal (HHT-A), Large Display, Integrated Imager, Full Alphanumeric Keypad Capability, and Certified for Hazardous Locations (Minimum Class 1, Division 2, Groups A, B, C, and D)	\$2,377.00
0001AB	HHT-A Warranty Upgrade to Add 2 Additional Years (Total 5 Year Warranty)	\$486.00
0001AC	HHT-A Holster and Shoulder Strap	\$138.00
0001AD	HHT-A Rechargeable Battery	\$311.00
0001AE	HHT-A Multiple (2) Battery Charger	\$390.00
0001AF	HHT-A Single Battery Charger / Docking Station	\$347.00
0001AG	HHT-A One Pack of (1) Tethered Replacement Styli	\$46.00
0001AH	HHT-A Transparent Screen Protector	\$67.00
0001AJ	HHT-A Portable Printer Interface Connection and Cable	\$16.00
0001AK	HHT-A Detachable Hand Strap	\$92.00
0001AM	HHT-A Carrying Case	\$94.00
0001BA	Hand-Held Barcode Terminal B (HHT-B) Small Display, Integrated Imager, and Full Alphanumeric Keypad Capability	\$1,898.00
0001BB	HHT-B Warranty Upgrade to Add 2 Additional Years (Total 5 Year Warranty)	\$480.00
0001BC	HHT-B Detachable Handle and Trigger (if available)	N/A
0001BD	HHT-B Rechargeable Battery	\$340.00
0001BE	HHT-B Multiple (2) Battery Charger	\$283.00
0001BF	HHT-B Single Battery Charger / Docking Station	\$367.00
0001BG	HHT-B One Pack of (1) Tethered Replacement Styli	\$38.00
0001BH	HHT-B Transparent Screen Protector	\$50.00
0001BJ	HHT-B Portable Printer Interface Connection and Cable	\$16.00
0001BK	HHT-B Detachable Hand Strap	\$55.00
0001BM	HHT-B Carrying Case	\$94.00
0001CA	Hand-Held Barcode Terminal C (HHT-C) Large Display, Integrated Imager, Full Alphanumeric Keypad Capability	\$2,216.00
0001CB	HHT-C Warranty Upgrade to Add 2 Additional Years (Total 5 Year Warranty)	\$486.00
0001CC	HHT-C Holster and Shoulder Strap	\$138.00
0001CD	HHT-C Rechargeable Battery	\$311.00
0001CE	HHT-C Multiple (2) Battery Charger	\$390.00
0001CF	HHT-C Single Battery Charger / Docking Station	\$347.00
0001CG	HHT-C One Pack of (1) Tethered Replacement Styli	\$46.00
0001CH	HHT-C Transparent Screen Protector	\$67.00
0001CJ	HHT-C Portable Printer Interface Connection and Cable	\$16.00



0001CK	HHT-C Detachable Hand Strap	\$92.00
0001CM	HHT-C Carrying Case	\$94.00
0001DA	Hand-Held Barcode Terminal D (HHT-D) Small Display, Integrated Imager, Full Alphanumeric Keypad Capability and NI Certified	\$3,690.00
0001DB	HHT-D Warranty Upgrade to Add 2 Additional Years (Total 5 Year Warranty)	\$501.00
0001DC	HHT-D Holster and Shoulder Strap	\$70.00
0001DD	HHT-D Rechargeable Battery	\$224.00
0001DE	HHT-D Multiple (2) Battery Charger	\$282.00
0001DF	HHT-D Single Battery Charger / Docking Station	\$580.00
0001DG	HHT-D One Pack of (1) Tethered Replacement Styli	\$21.00
0001DH	HHT-D Transparent Screen Protector	\$46.00
0001DJ	HHT-D Portable Printer Interface Connection and Cable	\$16.00
0001DK	HHT-D Detachable Hand Strap	\$31.00
0001DM	HHT-D Carrying Case	\$94.00
0001EA	Hand-Held Barcode Terminal E (HHT-E) Small Display, Integrated Imager, Full Alphanumeric Keypad Capability, NI Certified, and Pistol Grip	\$3,942.00
0001EB	HHT-E Warranty Upgrade to Add 2 Additional Years (Total 5 Year Warranty)	\$501.00
0001EC	HHT-E Holster and Shoulder Strap	\$90.00
0001ED	HHT-E Rechargeable Battery	\$224.00
0001EE	HHT-E Multiple (2) Battery Charger	\$282.00
0001EF	HHT-E Single Battery Charger / Docking Station	\$580.00
0001EG	HHT-E One Pack of (1) Tethered Replacement Styli	\$21.00
0001EH	HHT-E Transparent Screen Protector	\$46.00
0001EJ	HHT-E Portable Printer Interface Connection and Cable	\$16.00
0001EK	HHT-E Detachable Hand Strap	\$31.00
0001EM	HHT-E Carrying Case	\$94.00
X003 Barcode Imagers for PC Input		
0003AA	Imager for PC Input - General Barcode (Tethered)	\$307.00
0003AB	Imager for PC Input - General Barcode (Bluetooth)	\$712.00
0003AC	Imager for PC Input - IUID Label Markings	\$307.00
0003AD	Imager for PC Input - IUID Direct Part Markings	\$482.00
0003AE	Imager with Extended Reading Range for PC Input - General Barcode (Tethered)	\$415.00
X005 Barcode Printers		
0005AA	Portable/Wearable Barcode Label Printer	\$789.00
0005AB	RESERVE	N/A
0005AC	Battery Charger for Portable/Wearable Barcode Label Printer	\$243.00
0005AD	Carrying Case with Strap for Portable/Wearable Barcode Label Printer	\$105.00
0005AE	4" X 6" Label - Portable/Wearable BC Label Printer (1 Roll)	\$14.50
0005BA	Stationary Barcode Label Printer	\$835.00



0005BB	Stationary Barcode Label Printer, with Installed Take-up Reel	\$1,748.00
0005BC	Roll of 4" X 6" Synthetic Label Stock (8" Diameter Roll) for Stationary BC Label Printer (1 Roll)	\$37.00
0005BD	Roll of 4" X 3" Synthetic Label Stock (8" Diameter Roll) for Stationary BC Label Printer (1 Roll)	\$36.00
0005BE	Resin Ribbon for 4" Width Labels for Stationary BC Label Printer	\$24.75
X007 IUID Marking Equipment and Verifiers		
0007AA	Laser Marking Equipment	\$27,316.00
0007AB	Adhesive Film Stock (25 Sheets)	\$245.00
0007AC	Polyacrylic Adhesive Film Stock (1 Roll)	\$2,845.00
0007AD	Desktop Verifier for Labels	\$4,293.00
X009 Wireless Radio Frequency Data Communications		
0009AA	Radio Frequency Access Point (Indoor Environment)	\$960.00
0009AB	Radio Frequency Access Point (NEMA)	\$1,761.00
0009AC	Radio Frequency Access Point (Office Environment)	\$1,391.00
0009AD	Radio Frequency Gateway	\$4,406.00
X011 Transit Case and Transit Case Configuration		
0011AA	Transit Case Configuration, Small Arms Room Kit	\$12,718.00
X013 Software		
0013AA	Barcode Label Design and Printing Software	\$760.00
0013AB	Small Arms Room Management Software	\$21,055.00
X015 Expedited Delivery for Hardware and Software		
0015AA	Expedited delivery CONUS – Negotiated on a Firm-Fixed Price Basis, subject to product availability and timeliness	
0015AB	Expedited delivery OCONUS – Negotiated on a Firm-Fixed Price Basis, subject to product availability and timeliness	
X017 Technical Engineering Services		
0017AA	Project Manager	\$123.66
0017AB	Instructional Design and Development Specialist	\$69.27
0017AC	Senior Programmer	\$97.03
0017AD	Systems Analyst	\$85.17
0017AE	Software Systems Engineer	\$95.79
0017AF	Programmer / Analyst	\$53.41
0017AG	Junior Programmer	\$73.54
0017AH	Systems Engineer	\$85.98
0017AJ	Data Comm / Network Specialist	\$71.80
0017AK	RF Technical Radio Specialist	\$69.13
0017AM	Technical Training Specialist	\$74.88
0017AN	Technical Writer	\$58.61
X021 Incidental Materials		
0021AA	Incidental Materials – Negotiated on a Firm-Fixed Price Basis per task order	
X023 Contractor Manpower Reporting		
0023AA	Contractor Manpower Reporting – Not Separately Priced	N/A



X027 Travel		
0027AA	Travel - Negotiated on a Firm-Fixed Price Basis per task order	
0027AB	Per Diem - Negotiated on a Firm-Fixed Price Basis per task order	
Option Period 1 CLINS: Year 4		
X001 Hand-Held Barcode Reader		
1001AA	Hand-Held Terminal (HHT-A), Large Display, Integrated Imager, Full Alphanumeric Keypad Capability, and Certified for Hazardous Locations (Minimum Class 1, Division 2, Groups A, B, C, and D)	\$2,377.00
1001AB	HHT-A Warranty Upgrade to Add 2 Additional Years (Total 5 Year Warranty)	\$486.00
1001AC	HHT-A Holster and Shoulder Strap	\$138.00
1001AD	HHT-A Rechargeable Battery	\$311.00
1001AE	HHT-A Multiple (2) Battery Charger	\$390.00
1001AF	HHT-A Single Battery Charger / Docking Station	\$347.00
1001AG	HHT-A One Pack of (1) Tethered Replacement Styli	\$46.00
1001AH	HHT-A Transparent Screen Protector	\$67.00
1001AJ	HHT-A Portable Printer Interface Connection and Cable	\$16.00
1001AK	HHT-A Detachable Hand Strap	\$92.00
1001AM	HHT-A Carrying Case	\$94.00
1001BA	Hand-Held Barcode Terminal B (HHT-B) Small Display, Integrated Imager, and Full Alphanumeric Keypad Capability	\$1,898.00
1001BB	HHT-B Warranty Upgrade to Add 2 Additional Years (Total 5 Year Warranty)	\$480.00
1001BC	HHT-B Detachable Handle and Trigger (if available)	N/A
1001BD	HHT-B Rechargeable Battery	\$340.00
1001BE	HHT-B Multiple (2) Battery Charger	\$283.00
1001BF	HHT-B Single Battery Charger / Docking Station	\$367.00
1001BG	HHT-B One Pack of (1) Tethered Replacement Styli	\$38.00
1001BH	HHT-B Transparent Screen Protector	\$50.00
1001BJ	HHT-B Portable Printer Interface Connection and Cable	\$16.00
1001BK	HHT-B Detachable Hand Strap	\$55.00
1001BM	HHT-B Carrying Case	\$94.00
1001CA	Hand-Held Barcode Terminal C (HHT-C) Large Display, Integrated Imager, Full Alphanumeric Keypad Capability	\$2,216.00
1001CB	HHT-C Warranty Upgrade to Add 2 Additional Years (Total 5 Year Warranty)	\$486.00
1001CC	HHT-C Holster and Shoulder Strap	\$138.00
1001CD	HHT-C Rechargeable Battery	\$311.00
1001CE	HHT-C Multiple (2) Battery Charger	\$390.00
1001CF	HHT-C Single Battery Charger / Docking Station	\$347.00
1001CG	HHT-C One Pack of (1) Tethered Replacement Styli	\$46.00
1001CH	HHT-C Transparent Screen Protector	\$67.00
1001CJ	HHT-C Portable Printer Interface Connection and Cable	\$16.00
1001CK	HHT-C Detachable Hand Strap	\$92.00
1001CM	HHT-C Carrying Case	\$94.00
1001DA	Hand-Held Barcode Terminal D (HHT-D) Small Display, Integrated Imager, Full Alphanumeric Keypad Capability and NI Certified	\$3,690.00



1001DB	HHT-D Warranty Upgrade to Add 2 Additional Years (Total 5 Year Warranty)	\$501.00
1001DC	HHT-D Holster and Shoulder Strap	\$70.00
1001DD	HHT-D Rechargeable Battery	\$224.00
1001DE	HHT-D Multiple (2) Battery Charger	\$282.00
1001DF	HHT-D Single Battery Charger / Docking Station	\$580.00
1001DG	HHT-D One Pack of (1) Tethered Replacement Styli	\$21.00
1001DH	HHT-D Transparent Screen Protector	\$46.00
1001DJ	HHT-D Portable Printer Interface Connection and Cable	\$16.00
1001DK	HHT-D Detachable Hand Strap	\$31.00
1001DM	HHT-D Carrying Case	\$94.00
1001EA	Hand-Held Barcode Terminal E (HHT-E) Small Display, Integrated Imager, Full Alphanumeric Keypad Capability, NI Certified, and Pistol Grip	\$3,942.00
1001EB	HHT-E Warranty Upgrade to Add 2 Additional Years (Total 5 Year Warranty)	\$501.00
1001EC	HHT-E Holster and Shoulder Strap	\$90.00
1001ED	HHT-E Rechargeable Battery	\$224.00
1001EE	HHT-E Multiple (2) Battery Charger	\$282.00
1001EF	HHT-E Single Battery Charger / Docking Station	\$580.00
1001EG	HHT-E One Pack of (1) Tethered Replacement Styli	\$21.00
1001EH	HHT-E Transparent Screen Protector	\$46.00
1001EJ	HHT-E Portable Printer Interface Connection and Cable	\$16.00
1001EK	HHT-E Detachable Hand Strap	\$31.00
1001EM	HHT-E Carrying Case	\$94.00
X003 Barcode Imagers for PC Input		
1003AA	Imager for PC Input - General Barcode (Tethered)	\$307.00
1003AB	Imager for PC Input - General Barcode (Bluetooth)	\$712.00
1003AC	Imager for PC Input - IUID Label Markings	\$307.00
1003AD	Imager for PC Input - IUID Direct Part Markings	\$482.00
1003AE	Imager with Extended Reading Range for PC Input - General Barcode (Tethered)	\$415.00
X005 Barcode Printers		
1005AA	Portable/Wearable Barcode Label Printer	\$789.00
1005AB	RESERVE	N/A
1005AC	Battery Charger for Portable/Wearable Barcode Label Printer	\$243.00
1005AD	Carrying Case with Strap for Portable/Wearable Barcode Label Printer	\$105.00
1005AE	4" X 6" Label - Portable/Wearable BC Label Printer (1 Roll)	\$14.50
1005BA	Stationary Barcode Label Printer	\$835.00
1005BB	Stationary Barcode Label Printer, with Installed Take-up Reel	\$1,748.00
1005BC	Roll of 4" X 6" Synthetic Label Stock (8" Diameter Roll) for Stationary BC Label Printer (1 Roll)	\$38.10
1005BD	Roll of 4" X 3" Synthetic Label Stock (8" Diameter Roll) for Stationary BC Label Printer (1 Roll)	\$37.10
1005BE	Resin Ribbon for 4" Width Labels for Stationary BC Label Printer	\$25.50
X007 IUID Marking Equipment and Verifiers		
1007AA	Laser Marking Equipment	\$28,370.00



1007AB	Adhesive Film Stock (25 Sheets)	\$245.00
1007AC	Polyacrylic Adhesive Film Stock (1 Roll)	\$2,845.00
1007AD	Desktop Verifier for Labels	\$4,293.00
X009 Wireless Radio Frequency Data Communications		
1009AA	Radio Frequency Access Point (Indoor Environment)	\$960.00
1009AB	Radio Frequency Access Point (NEMA)	\$1,761.00
1009AC	Radio Frequency Access Point (Office Environment)	\$1,391.00
1009AD	Radio Frequency Gateway	\$4,406.00
X011 Transit Case and Transit Case Configuration		
1011AA	Transit Case Configuration, Small Arms Room Kit	\$12,718.00
X013 Software		
1013AA	Barcode Label Design and Printing Software	\$760.00
1013AB	Small Arms Room Management Software	\$21,055.00
X015 Expedited Delivery for Hardware and Software		
1015AA	Expedited delivery CONUS – Negotiated on a Firm-Fixed Price Basis, subject to product availability and timeliness	
1015AB	Expedited delivery OCONUS – Negotiated on a Firm-Fixed Price Basis, subject to product availability and timeliness	
X017 Technical Engineering Services		
1017AA	Project Manager	\$123.66
1017AB	Instructional Design and Development Specialist	\$69.27
1017AC	Senior Programmer	\$97.03
1017AD	Systems Analyst	\$85.17
1017AE	Software Systems Engineer	\$95.79
1017AF	Programmer / Analyst	\$53.41
1017AG	Junior Programmer	\$73.54
1017AH	Systems Engineer	\$85.98
1017AJ	Data Comm / Network Specialist	\$71.80
1017AK	RF Technical Radio Specialist	\$69.13
1017AM	Technical Training Specialist	\$74.88
1017AN	Technical Writer	\$58.61
X021 Incidental Materials		
1021AA	Incidental Materials – Negotiated on a Firm-Fixed Price Basis per task order	
X023 Contractor Manpower Reporting		
1023AA	Contractor Manpower Reporting – Not Separately Priced	N/A
X027 Travel		
1027AA	Travel - Negotiated on a Firm-Fixed Price Basis per task order	
1027AB	Per Diem - Negotiated on a Firm-Fixed Price Basis per task order	
Option Period 2 CLINS: Year 5		
X001 Hand-Held Barcode Reader		
2001AA	Hand-Held Terminal (HHT-A), Large Display, Integrated Imager, Full Alphanumeric Keypad Capability, and Certified for Hazardous Locations (Minimum Class 1, Division 2, Groups A, B, C, and D)	\$2,377.00
2001AB	HHT-A Warranty Upgrade to Add 2 Additional Years (Total 5 Year Warranty)	\$486.00



2001AC	HHT-A Holster and Shoulder Strap	\$138.00
2001AD	HHT-A Rechargeable Battery	\$311.00
2001AE	HHT-A Multiple (2) Battery Charger	\$390.00
2001AF	HHT-A Single Battery Charger / Docking Station	\$347.00
2001AG	HHT-A One Pack of (1) Tethered Replacement Styli	\$46.00
2001AH	HHT-A Transparent Screen Protector	\$67.00
2001AJ	HHT-A Portable Printer Interface Connection and Cable	\$16.00
2001AK	HHT-A Detachable Hand Strap	\$92.00
2001AM	HHT-A Carrying Case	\$94.00
2001BA	Hand-Held Barcode Terminal B (HHT-B) Small Display, Integrated Imager, and Full Alphanumeric Keypad Capability	\$1,898.00
2001BB	HHT-B Warranty Upgrade to Add 2 Additional Years (Total 5 Year Warranty)	\$480.00
2001BC	HHT-B Detachable Handle and Trigger (if available)	N/A
2001BD	HHT-B Rechargeable Battery	\$340.00
2001BE	HHT-B Multiple (2) Battery Charger	\$283.00
2001BF	HHT-B Single Battery Charger / Docking Station	\$367.00
2001BG	HHT-B One Pack of (1) Tethered Replacement Styli	\$38.00
2001BH	HHT-B Transparent Screen Protector	\$50.00
2001BJ	HHT-B Portable Printer Interface Connection and Cable	\$16.00
2001BK	HHT-B Detachable Hand Strap	\$55.00
2001BM	HHT-B Carrying Case	\$94.00
2001CA	Hand-Held Barcode Terminal C (HHT-C) Large Display, Integrated Imager, Full Alphanumeric Keypad Capability	\$2,216.00
2001CB	HHT-C Warranty Upgrade to Add 2 Additional Years (Total 5 Year Warranty)	\$486.00
2001CC	HHT-C Holster and Shoulder Strap	\$138.00
2001CD	HHT-C Rechargeable Battery	\$311.00
2001CE	HHT-C Multiple (2) Battery Charger	\$390.00
2001CF	HHT-C Single Battery Charger / Docking Station	\$347.00
2001CG	HHT-C One Pack of (1) Tethered Replacement Styli	\$46.00
2001CH	HHT-C Transparent Screen Protector	\$67.00
2001CJ	HHT-C Portable Printer Interface Connection and Cable	\$16.00
2001CK	HHT-C Detachable Hand Strap	\$92.00
2001CM	HHT-C Carrying Case	\$94.00
2001DA	Hand-Held Barcode Terminal D (HHT-D) Small Display, Integrated Imager, Full Alphanumeric Keypad Capability and NI Certified	\$3,690.00
2001DB	HHT-D Warranty Upgrade to Add 2 Additional Years (Total 5 Year Warranty)	\$501.00
2001DC	HHT-D Holster and Shoulder Strap	\$70.00
2001DD	HHT-D Rechargeable Battery	\$224.00
2001DE	HHT-D Multiple (2) Battery Charger	\$282.00
2001DF	HHT-D Single Battery Charger / Docking Station	\$580.00
2001DG	HHT-D One Pack of (1) Tethered Replacement Styli	\$21.00
2001DH	HHT-D Transparent Screen Protector	\$46.00
2001DJ	HHT-D Portable Printer Interface Connection and Cable	\$16.00
2001DK	HHT-D Detachable Hand Strap	\$31.00



2001DM	HHT-D Carrying Case	\$94.00
2001EA	Hand-Held Barcode Terminal E (HHT-E) Small Display, Integrated Imager, Full Alphanumeric Keypad Capability, NI Certified, and Pistol Grip	\$3,942.00
2001EB	HHT-E Warranty Upgrade to Add 2 Additional Years (Total 5 Year Warranty)	\$501.00
2001EC	HHT-E Holster and Shoulder Strap	\$90.00
2001ED	HHT-E Rechargeable Battery	\$224.00
2001EE	HHT-E Multiple (2) Battery Charger	\$282.00
2001EF	HHT-E Single Battery Charger / Docking Station	\$580.00
2001EG	HHT-E One Pack of (1) Tethered Replacement Styli	\$21.00
2001EH	HHT-E Transparent Screen Protector	\$46.00
2001EJ	HHT-E Portable Printer Interface Connection and Cable	\$16.00
2001EK	HHT-E Detachable Hand Strap	\$31.00
2001EM	HHT-E Carrying Case	\$94.00
X003 Barcode Imagers for PC Input		
2003AA	Imager for PC Input - General Barcode (Tethered)	\$307.00
2003AB	Imager for PC Input - General Barcode (Bluetooth)	\$712.00
2003AC	Imager for PC Input - IUID Label Markings	\$307.00
2003AD	Imager for PC Input - IUID Direct Part Markings	\$482.00
2003AE	Imager with Extended Reading Range for PC Input - General Barcode (Tethered)	\$415.00
X005 Barcode Printers		
2005AA	Portable/Wearable Barcode Label Printer	\$789.00
2005AB	RESERVE	N/A
2005AC	Battery Charger for Portable/Wearable Barcode Label Printer	\$243.00
2005AD	Carrying Case with Strap for Portable/Wearable Barcode Label Printer	\$105.00
2005AE	4" X 6" Label - Portable/Wearable BC Label Printer (1 Roll)	\$14.50
2005BA	Stationary Barcode Label Printer	\$835.00
2005BB	Stationary Barcode Label Printer, with Installed Take-up Reel	\$1,748.00
2005BC	Roll of 4" X 6" Synthetic Label Stock (8" Diameter Roll) for Stationary BC Label Printer (1 Roll)	\$39.30
2005BD	Roll of 4" X 3" Synthetic Label Stock (8" Diameter Roll) for Stationary BC Label Printer (1 Roll)	\$38.20
2005BE	Resin Ribbon for 4" Width Labels for Stationary BC Label Printer	\$26.50
X007 IUID Marking Equipment and Verifiers		
2007AA	Laser Marking Equipment	\$29,221.00
2007AB	Adhesive Film Stock (25 Sheets)	\$245.00
2007AC	Polyacrylic Adhesive Film Stock (1 Roll)	\$2,845.00
2007AD	Desktop Verifier for Labels	\$4,293.00
X009 Wireless Radio Frequency Data Communications		
2009AA	Radio Frequency Access Point (Indoor Environment)	\$960.00
2009AB	Radio Frequency Access Point (NEMA)	\$1,761.00
2009AC	Radio Frequency Access Point (Office Environment)	\$1,391.00
2009AD	Radio Frequency Gateway	\$4,406.00
X011 Transit Case and Transit Case Configuration		



2011AA	Transit Case Configuration, Small Arms Room Kit	\$12,718.00
X013 Software		
2013AA	Barcode Label Design and Printing Software	\$760.00
2013AB	Small Arms Room Management Software	\$21,055.00
X015 Expedited Delivery for Hardware and Software		
2015AA	Expedited delivery CONUS – Negotiated on a Firm-Fixed Price Basis, subject to product availability and timeliness	
2015AB	Expedited delivery OCONUS – Negotiated on a Firm-Fixed Price Basis, subject to product availability and timeliness	
X017 Technical Engineering Services		
2017AA	Project Manager	\$123.66
2017AB	Instructional Design and Development Specialist	\$69.27
2017AC	Senior Programmer	\$97.03
2017AD	Systems Analyst	\$85.17
2017AE	Software Systems Engineer	\$95.79
2017AF	Programmer / Analyst	\$53.41
2017AG	Junior Programmer	\$73.54
2017AH	Systems Engineer	\$85.98
2017AJ	Data Comm / Network Specialist	\$71.80
2017AK	RF Technical Radio Specialist	\$69.13
2017AM	Technical Training Specialist	\$74.88
2017AN	Technical Writer	\$58.61
X021 Incidental Materials		
2021AA	Incidental Materials – Negotiated on a Firm-Fixed Price Basis per task order	
X023 Contractor Manpower Reporting		
2023AA	Contractor Manpower Reporting – Not Separately Priced	N/A
X027 Travel		
2027AA	Travel - Negotiated on a Firm-Fixed Price Basis per task order	
2027AB	Per Diem - Negotiated on a Firm-Fixed Price Basis per task order	